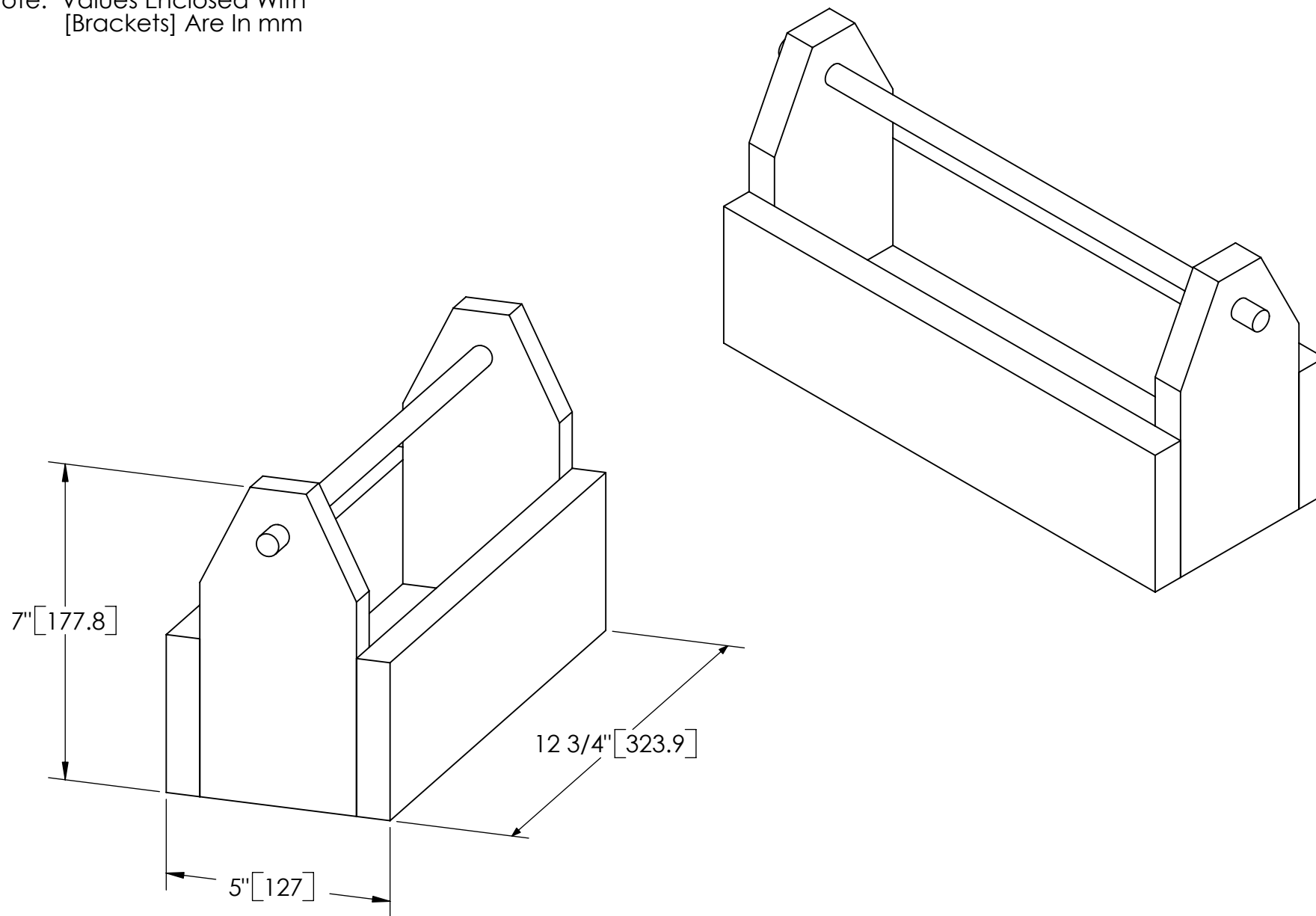
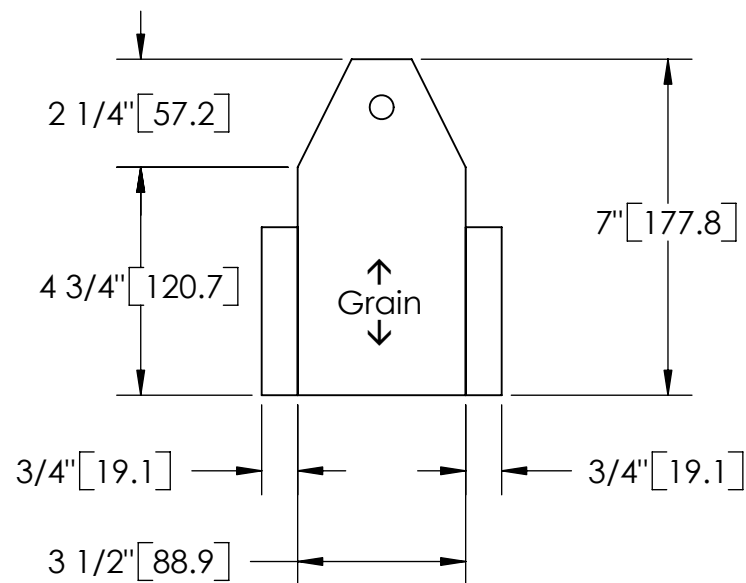
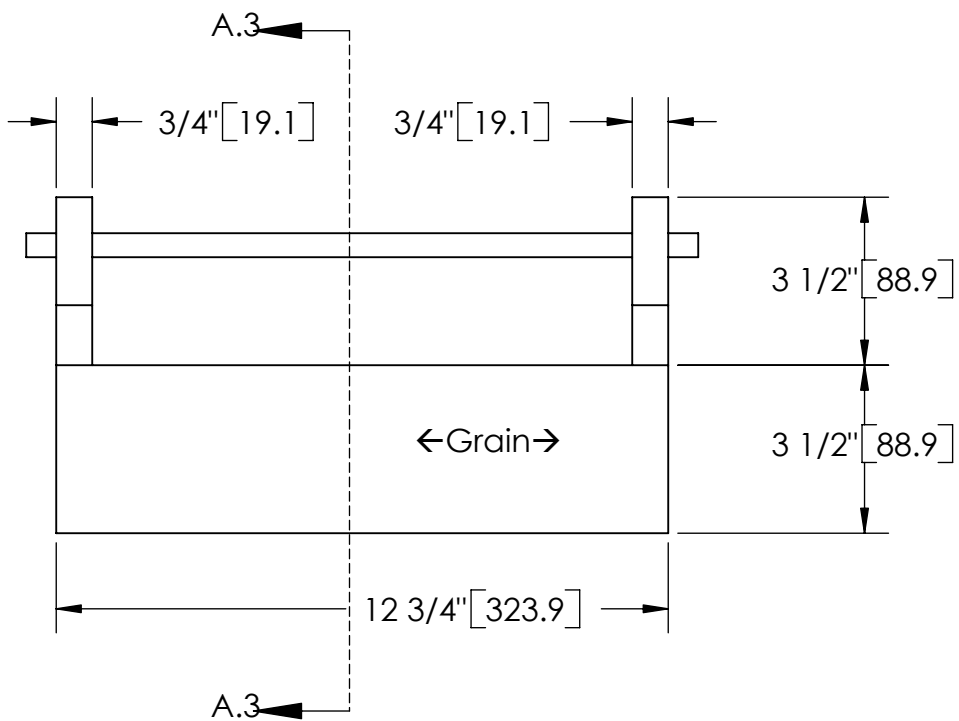
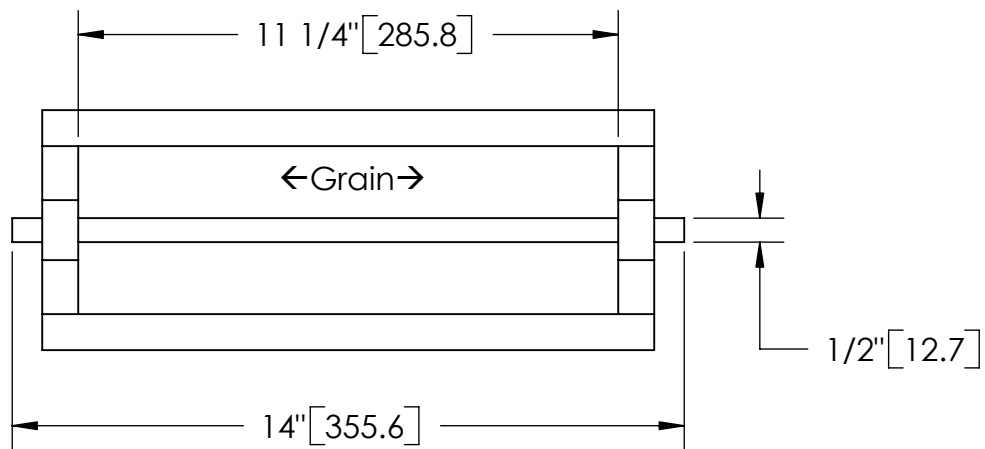
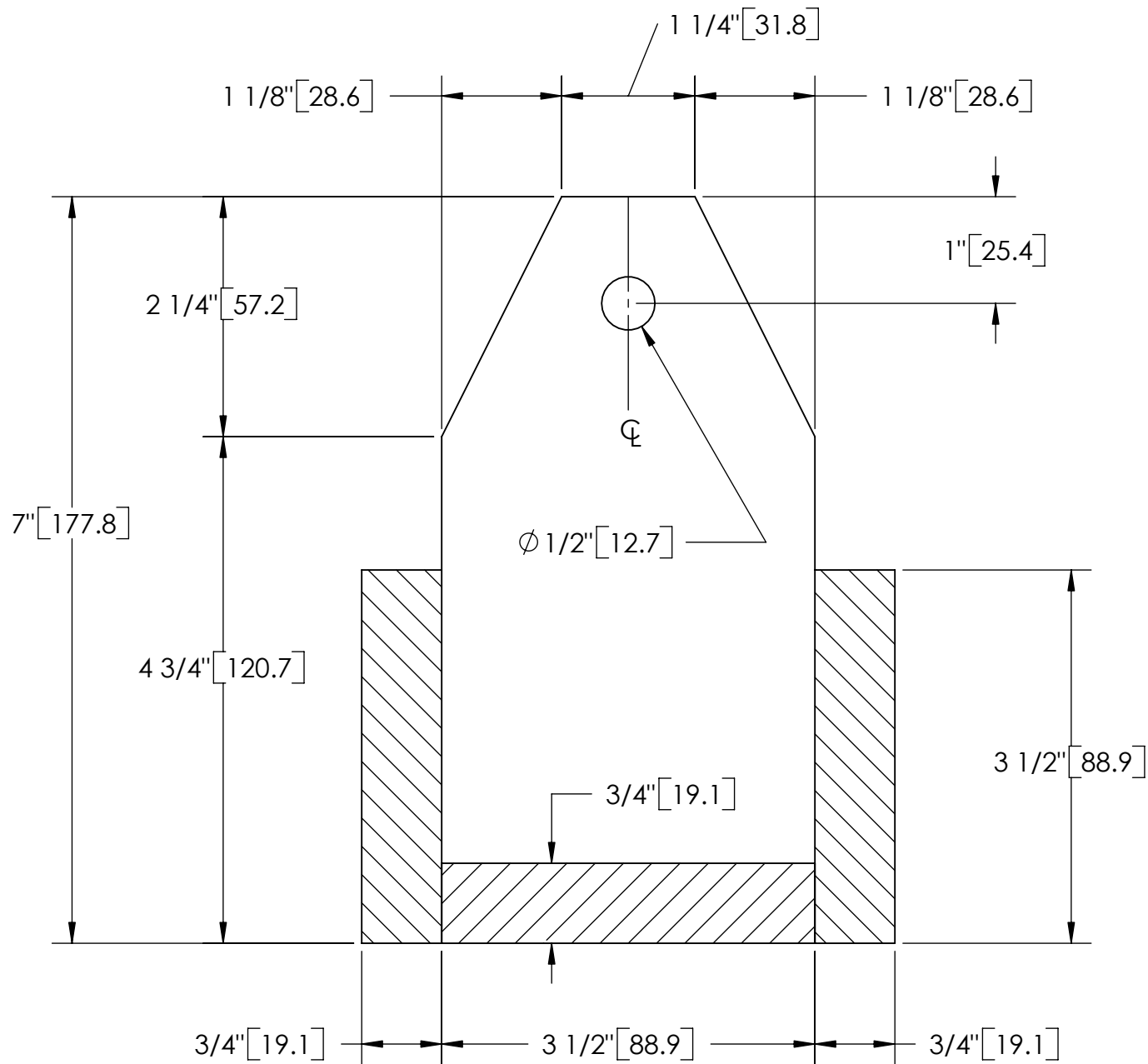


Note: Values Enclosed With
[Brackets] Are In mm







SECTION A.3-A.3

Parts List

Item	Quantity	Description	Material	Thickness	Width	Length
1	2	Side	1 x 4 Solid Wood	3/4"	3 1/2"	12 3/4"
2	1	Bottom	1 x 4 Solid Wood	3/4"	3 1/2"	11 1/4"
3	2	End	1 x 4 Solid Wood	3/4"	3 1/2"	7"
4	1	Handle	1/2" Wood Dowel	NA	NA	14"

