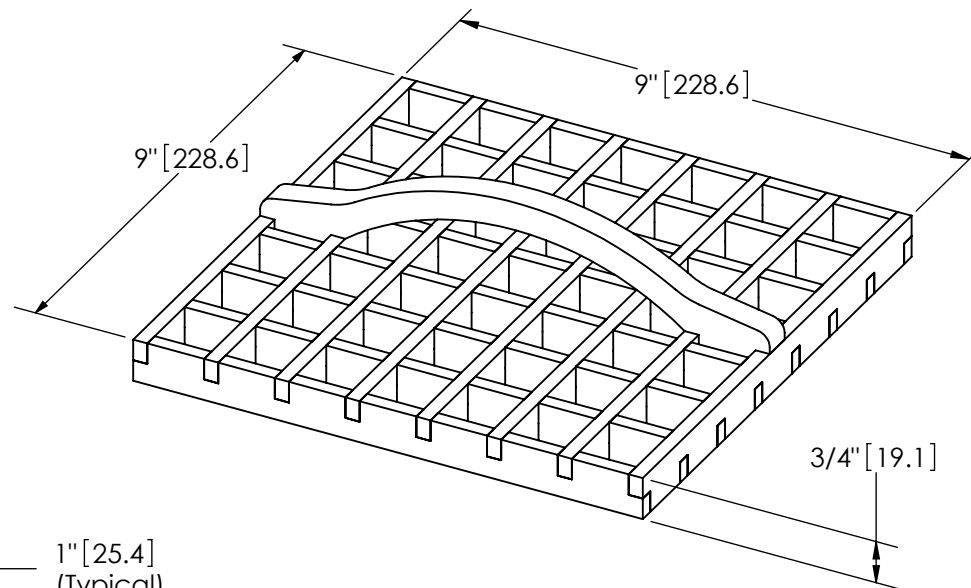
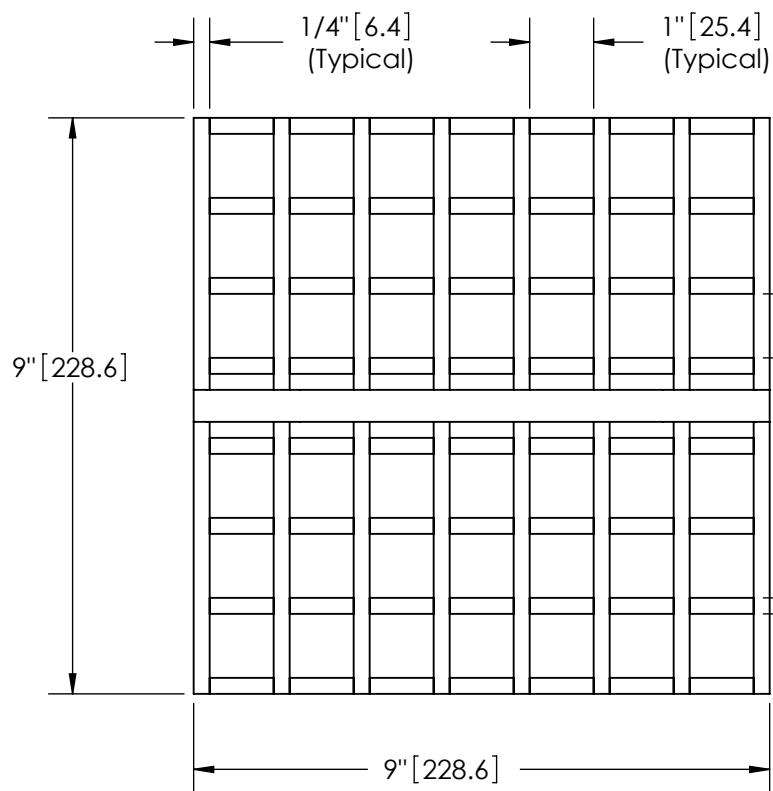


Note: Values Enclosed With [Brackets] Are In mm



1" [25.4]  
(Typical)

1/4" [6.4]  
(Typical)

