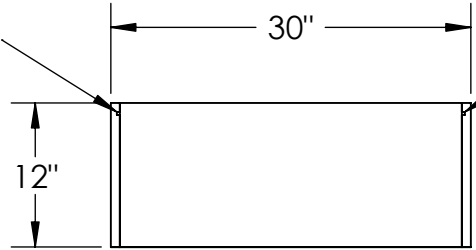
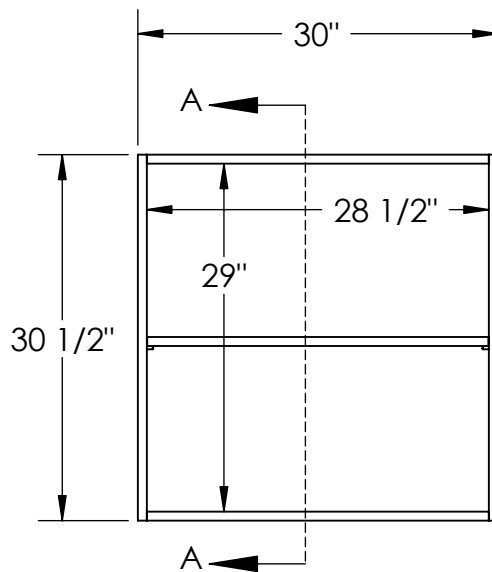


1/4" x 1/4" Dado For Back

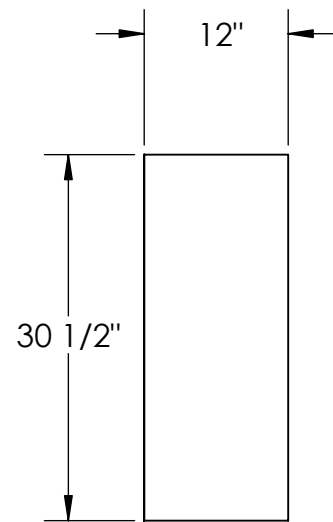


1/4" x 1/4" Dado For Back

VIEW Top

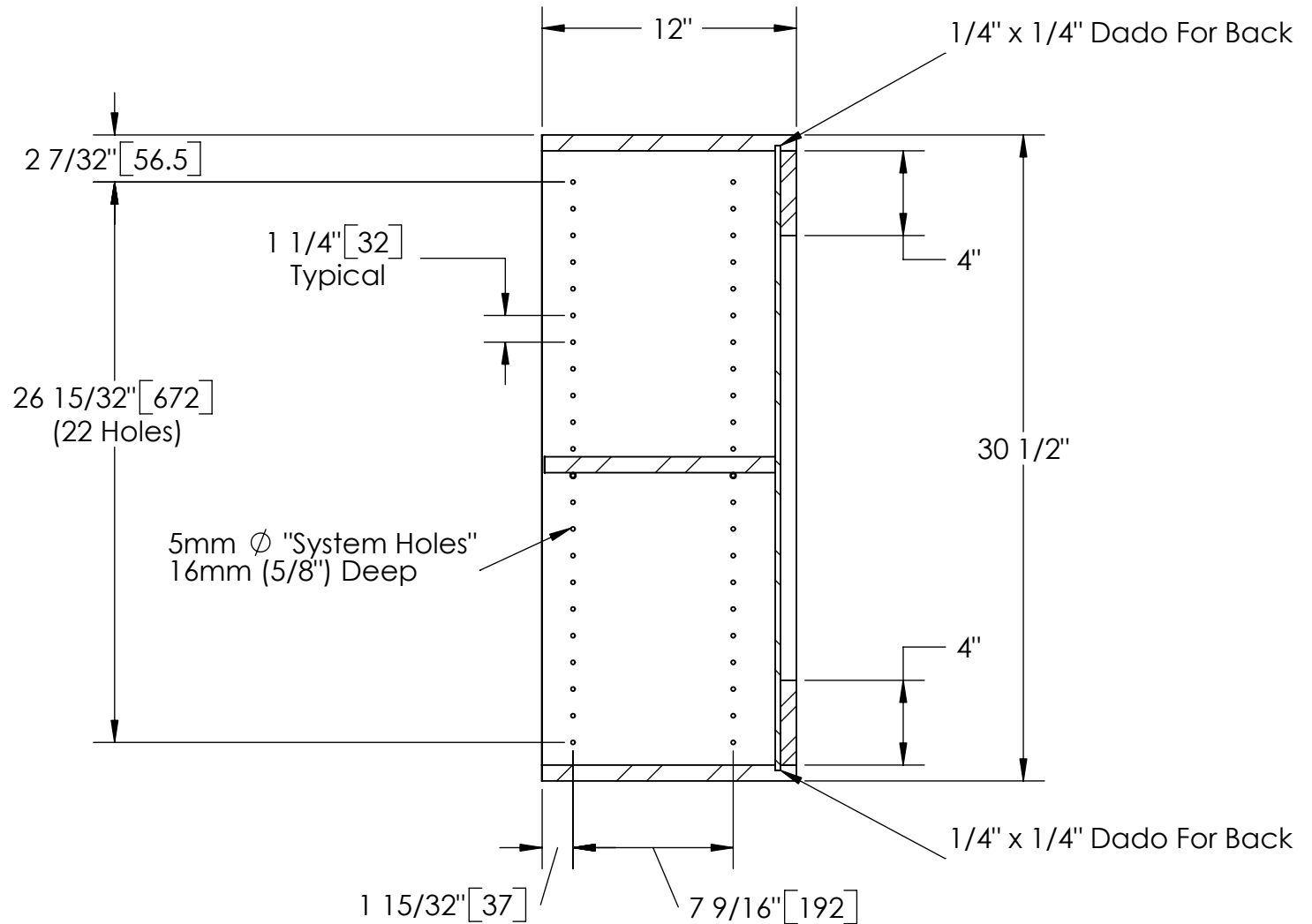


VIEW Front



VIEW Left

Note: Values Enclosed With [Brackets] Are In mm



SECTION A-A

Parts List

Item	Quantity	Description	Material	Thickness	Width	Length
1	4	Stepped Shelf Support Pin	Nickel			
2	2	Nailer	Particle Board	3/4"	4"	28 1/2"
3	1	Back	White Melamine	1/4"	29"	29 1/2"
4	1	Adjustable Shelf	White Melamine	3/4"	10 7/8"	28 7/16"
5	1	Bottom	White Melamine	3/4"	12"	28 1/2"
6	1	Top	White Melamine	3/4"	12"	28 1/2"
7	1	Wall End - Right	White Melamine	3/4"	12"	30 1/2"
8	1	Wall End - Left	White Melamine	3/4"	12"	30 1/2"
9	1	Edge Band - Adjustable Shelf	White PVC Edge Band	0.5mm	15/16"	29 15/16"
10	2	Edge Band - Top & Bottom	White PVC Edge Band	0.5mm	15/16"	30"
11	2	Edge Band - Wall End	White PVC Edge Band	0.5mm	15/16"	32"

