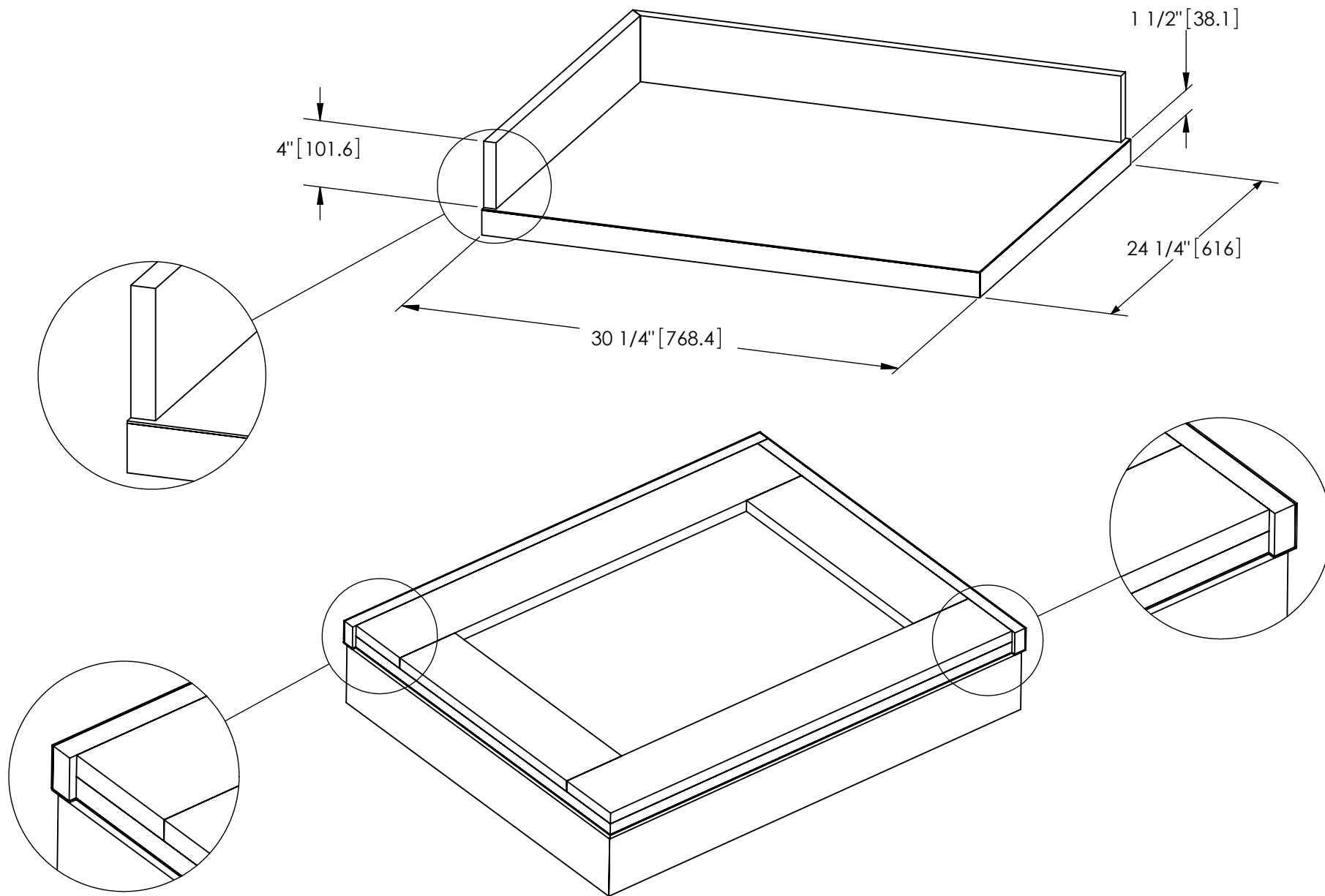
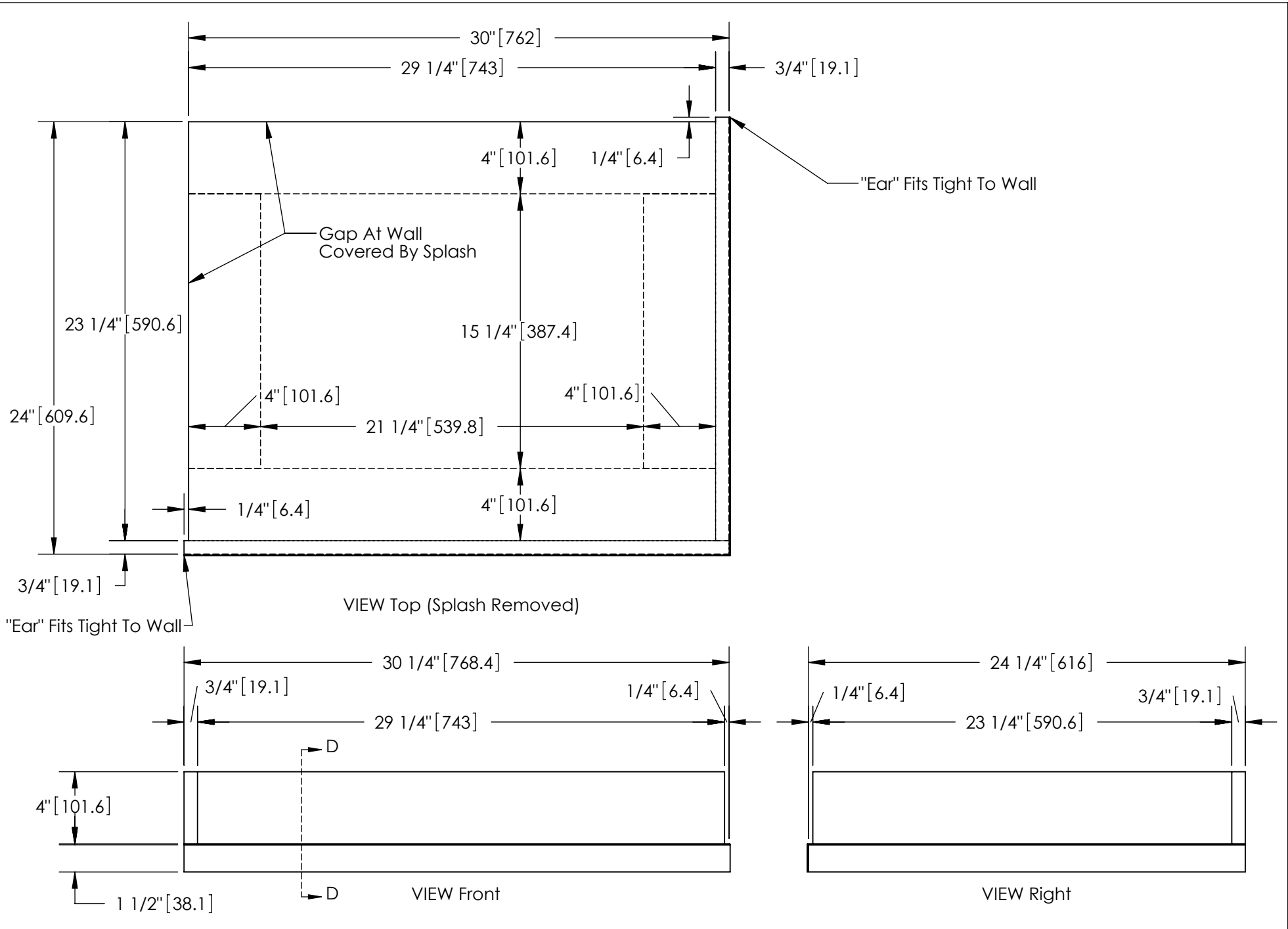
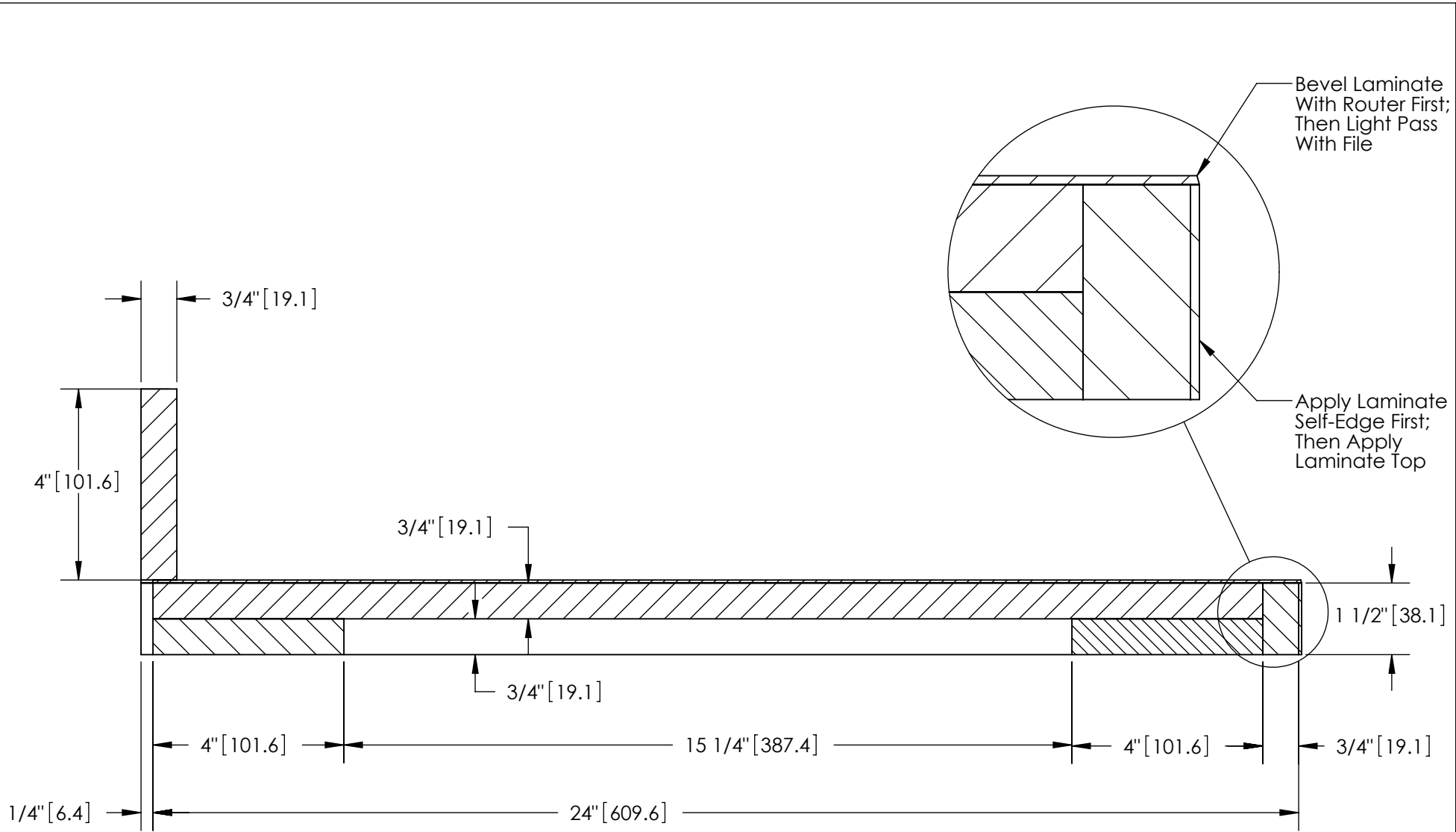


Note: Values Enclosed With [Brackets] Are In mm







SECTION D-D

Parts List

Item	Quantity	Description	Material	Thickness	Width	Length
1	1	Laminate - Top	Laminate - Post Form	1/16"	24 13/16"	48 13/16"
2	1	Laminate Edge - Front	Laminate - Post Form	1/16"	2"	48 13/16"
3	1	Laminate - Right Edge	Laminate - Post Form	1/16"	2"	24 3/4"
4	2	Long Stretcher	Plywood	3/4"	4"	29 1/4"
5	2	Short Stretcher	Plywood	3/4"	4"	15 1/4"
6	1	Sub Top	Plywood	3/4"	23 1/4"	29 1/4"
7	1	Front Edge	Plywood	3/4"	1 1/2"	30 1/4"
8	1	Right Edge	Plywood	3/4"	1 1/2"	23 1/2"
9	1	Splash - Back	To Be Determined	3/4"	4"	48"
10	1	Splash - Left	To Be Determined	3/4"	4"	24"

