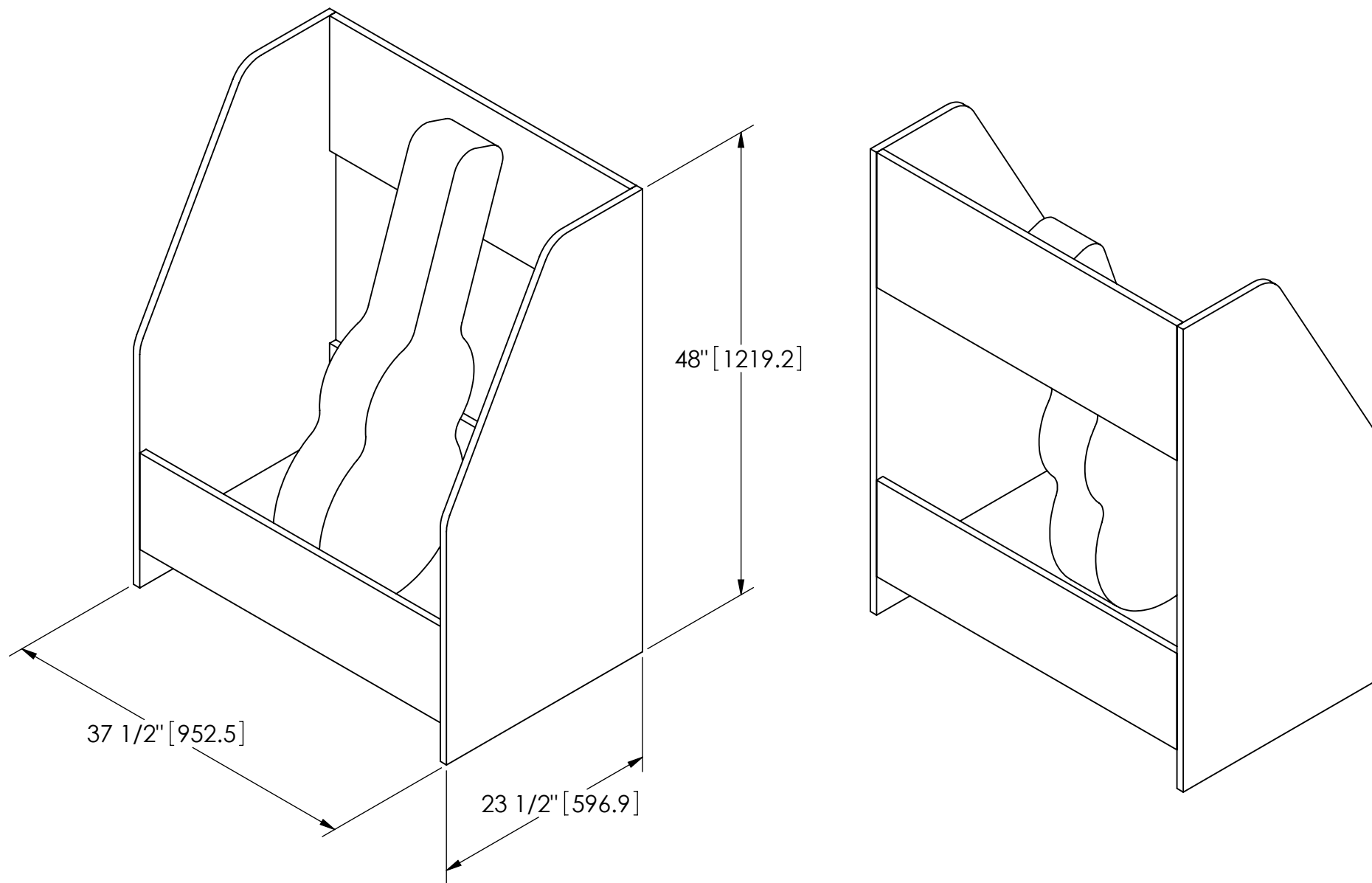
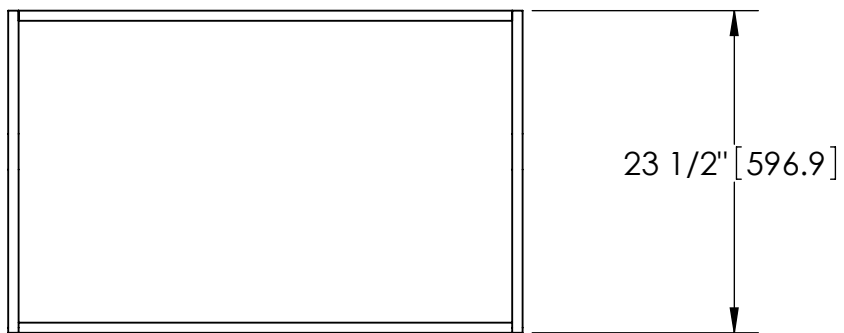
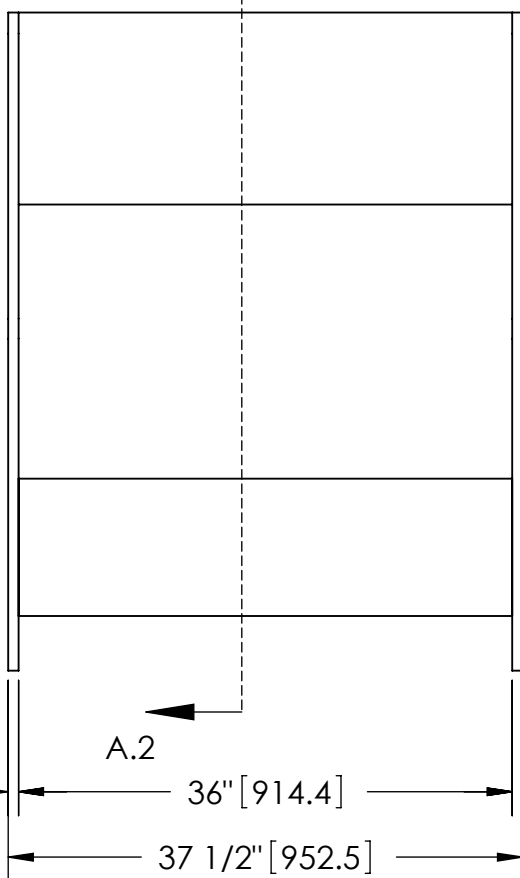


Note: Values Enclosed With
[Brackets] Are In mm

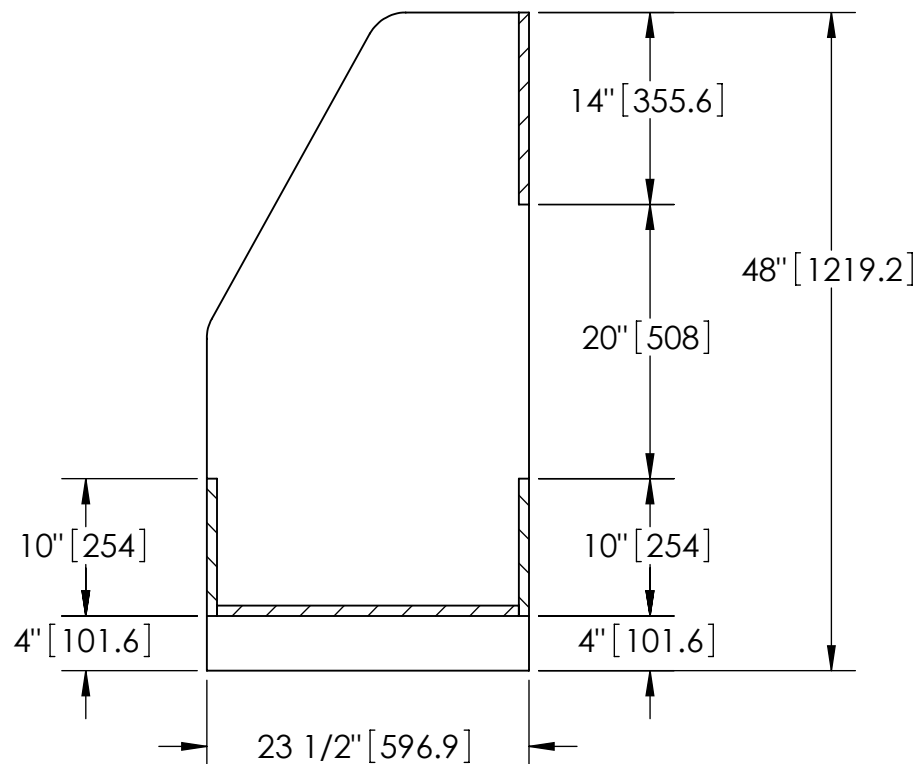




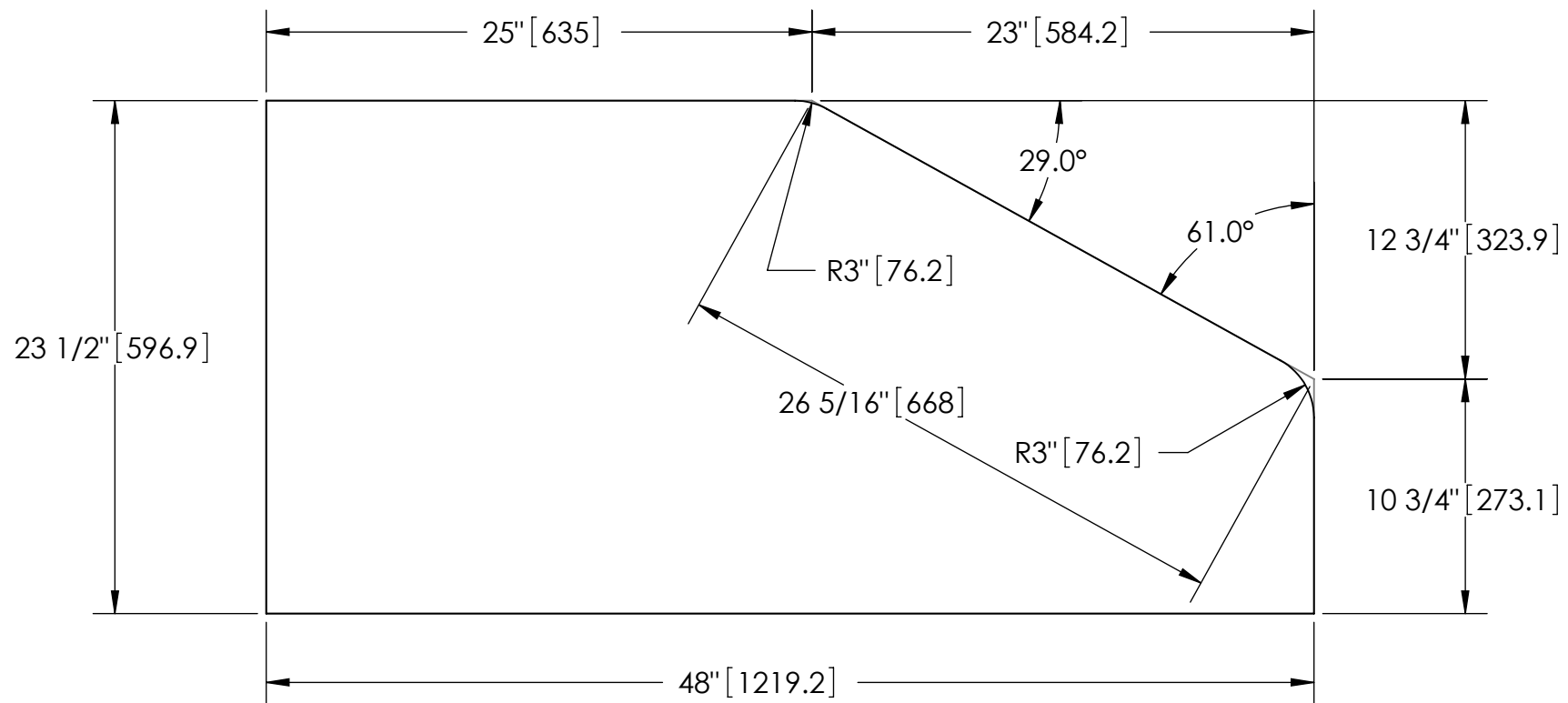
A.2



A.2



SECTION A.2-A.2



End Detail

Parts List						
Item	Quantity	Description	Material	Thickness	Width	Length
1	2	End	Black Melamine	3/4"	23 1/2"	48"
3	1	Bottom	Black Melamine	3/4"	22"	36"
3	1	Upper Back	Black Melamine	3/4"	14"	36"
4	1	Front	Black Melamine	3/4"	10"	36"
5	1	Lower Back	Black Melamine	3/4"	10"	36"
6	1	Edge Band	Black PVC Edge Band	0.5mm	15/16"	547"

