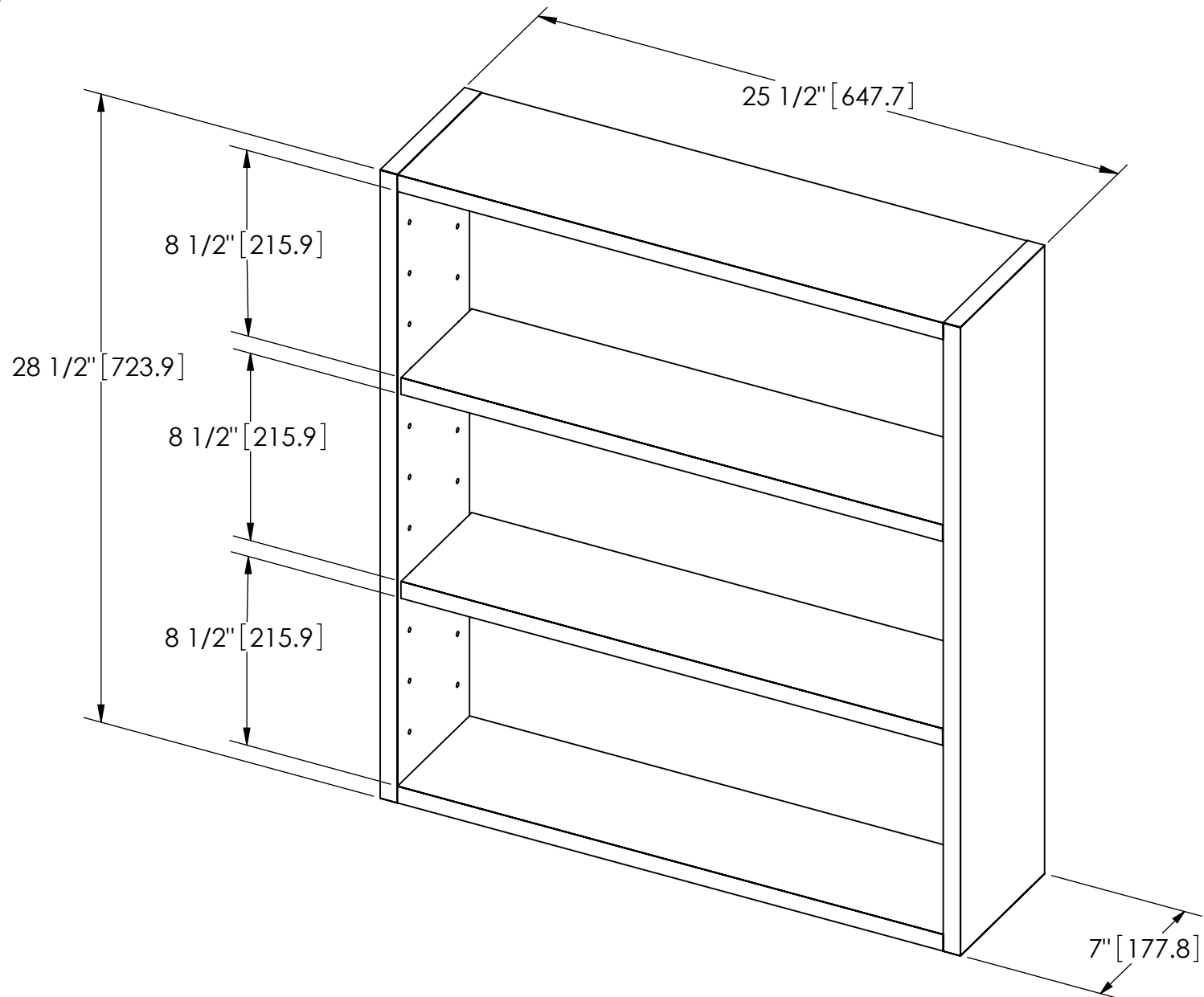
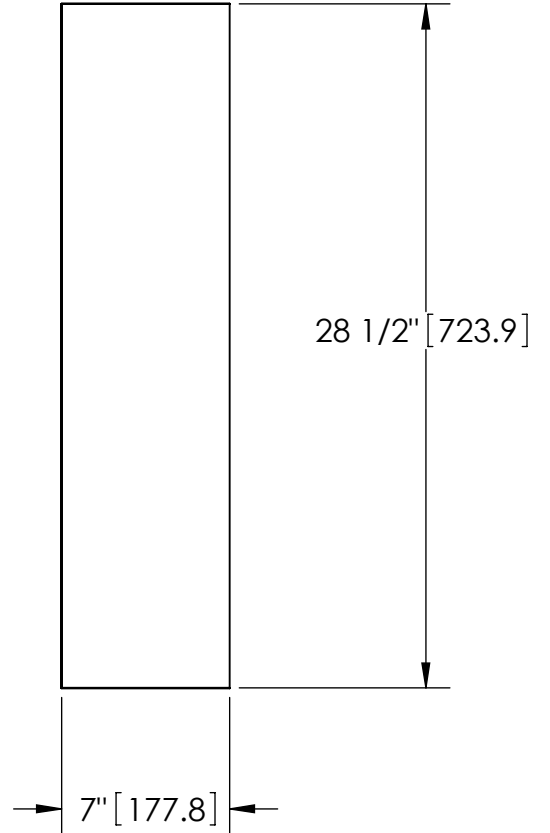
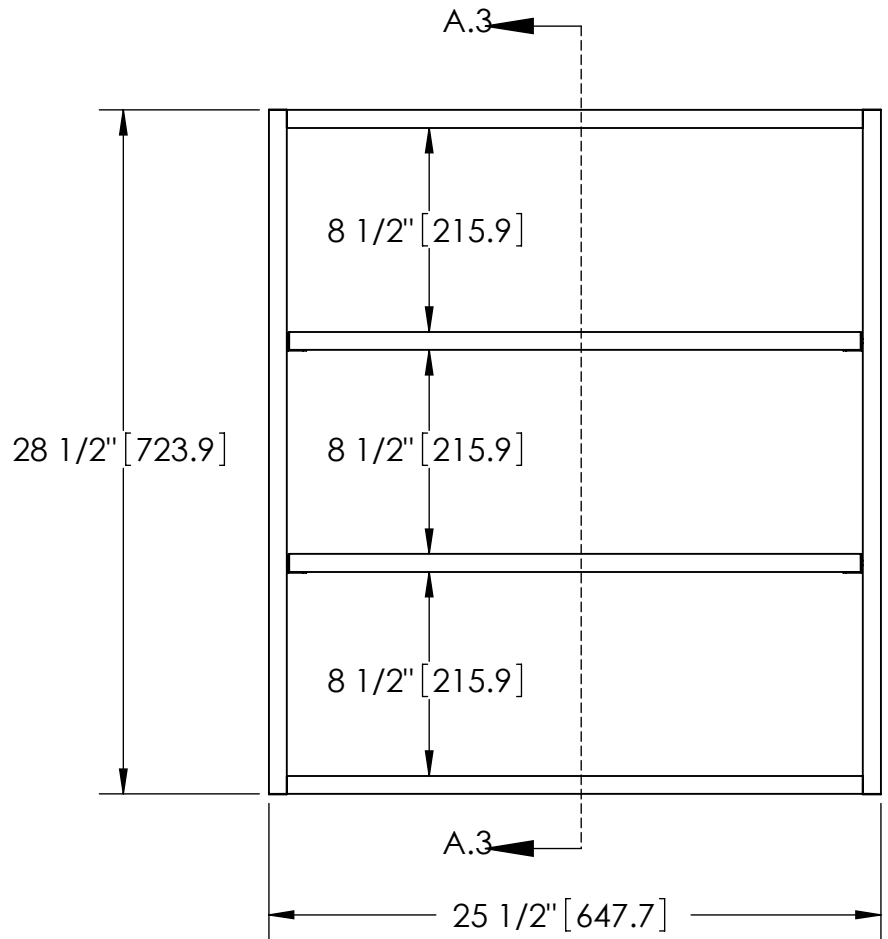
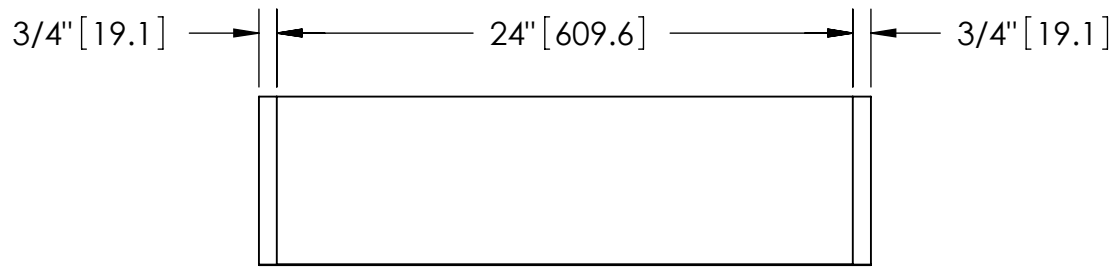
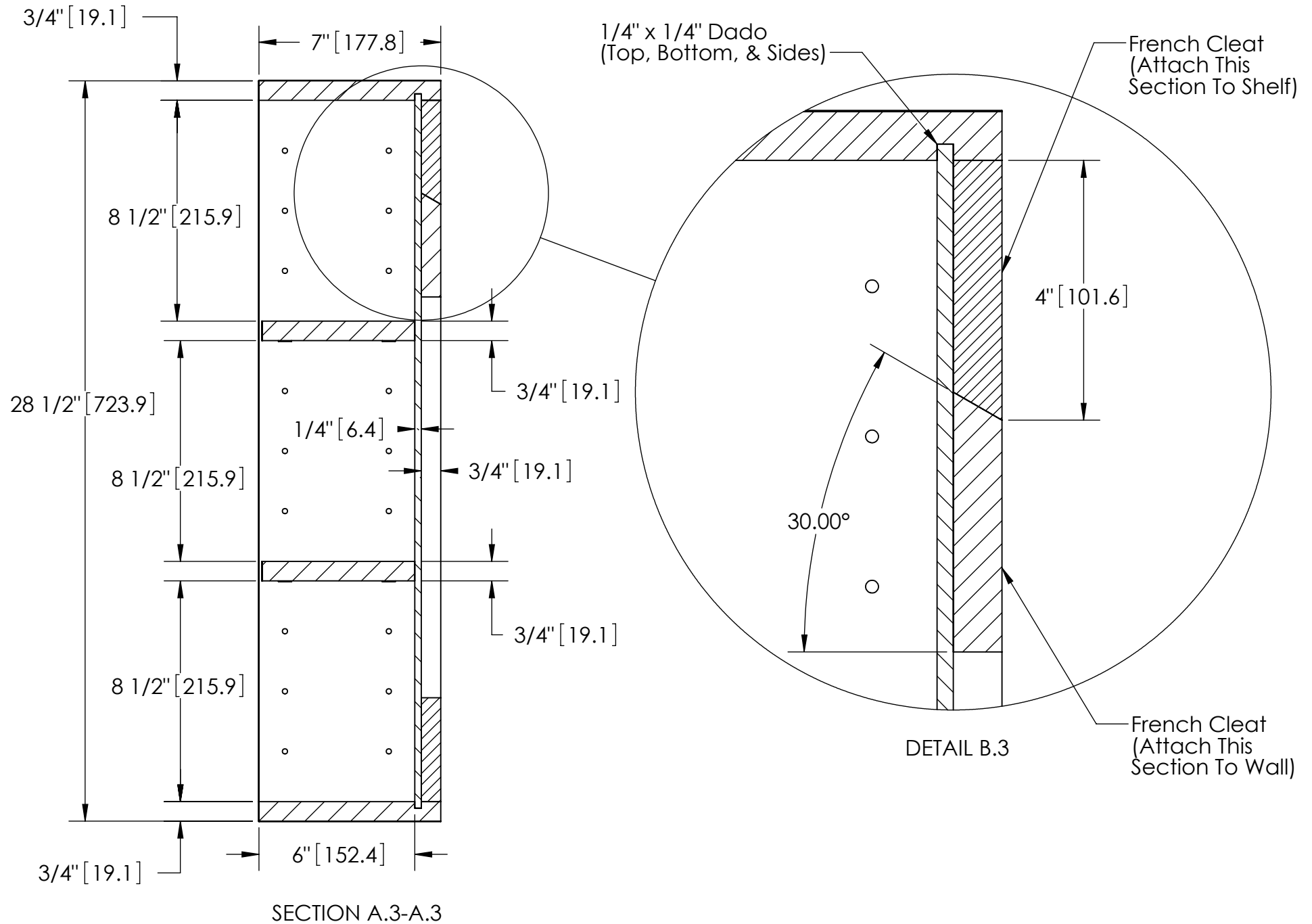
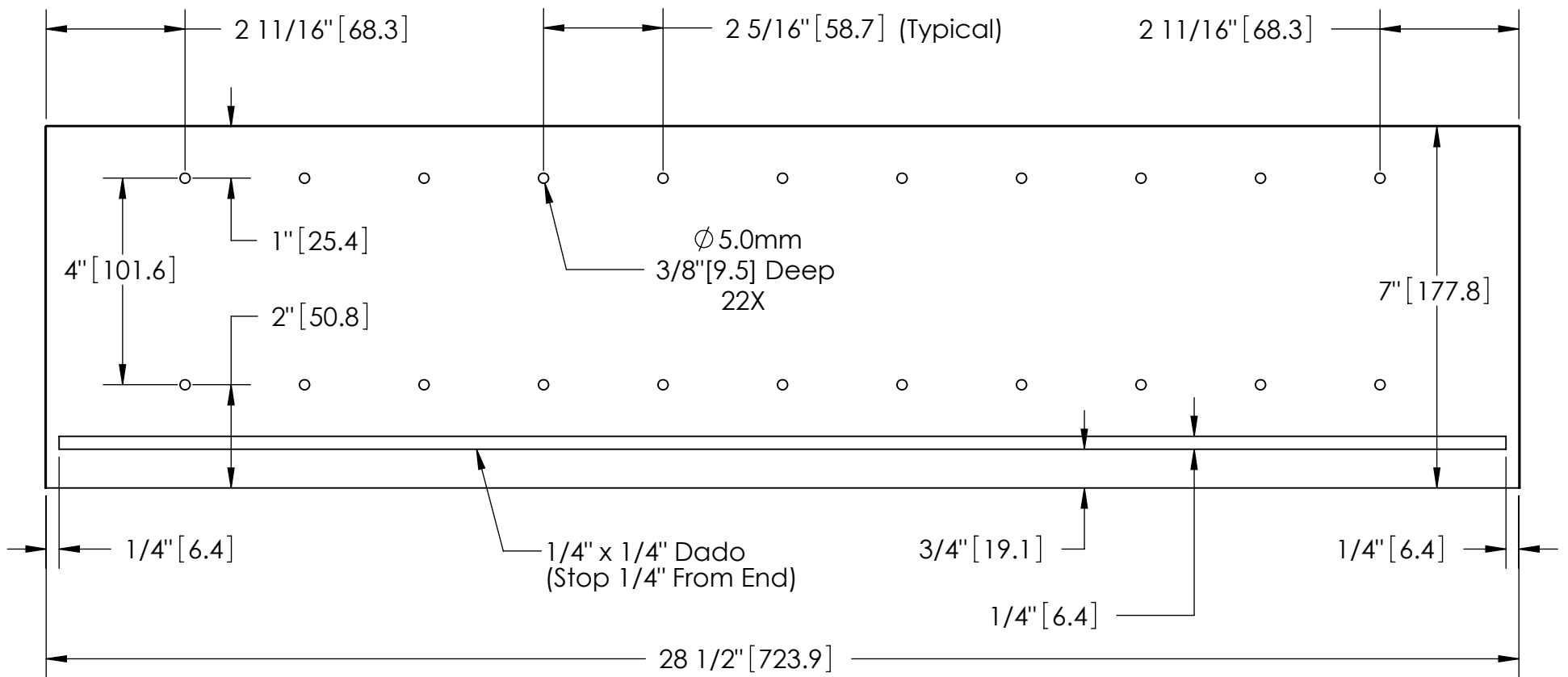


Note: Values Enclosed With
[Brackets] Are In mm









End / Shelf Hole Detail

Parts List

Item	Quantity	Description	Material	Thickness	Width	Length
1	8	5mm Angled Shelf Support	Nickel			
2	2	French Cleat	Particle Board	3/4"	4"	24"
3	1	Nailer	Particle Board	3/4"	4"	24"
4	1	Back	White Melamine	1/4"	24 1/2"	27 1/2"
5	2	Adjustable Shelf	White Melamine	3/4"	5 7/8"	23 13/16"
6	2	Top / Bottom	White Melamine	3/4"	7"	24"
7	2	Wall End	White Melamine	3/4"	7"	28 1/2"
8	4	Edge Band - End	White PVC Edge Band	0.5mm	15/16"	8 1/2"
9	2	Edge Band - Adjustable Shelf	White PVC Edge Band	0.5mm	15/16"	25 3/8"
10	2	Edge Band - Top / Bottom	White PVC Edge Band	0.5mm	15/16"	25 1/2"
11	2	Edge Band - End	White PVC Edge Band	0.5mm	15/16"	30"

