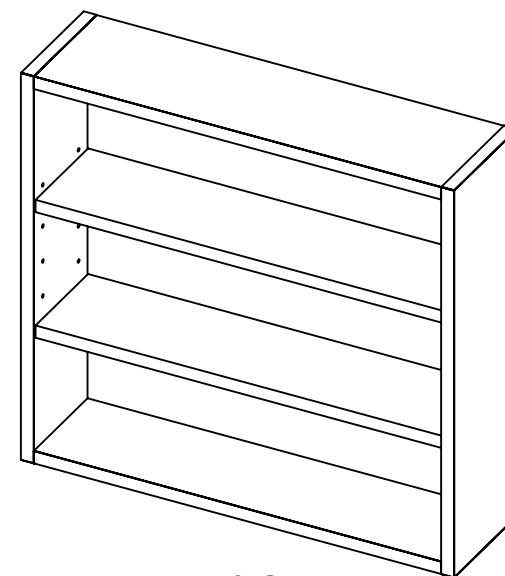
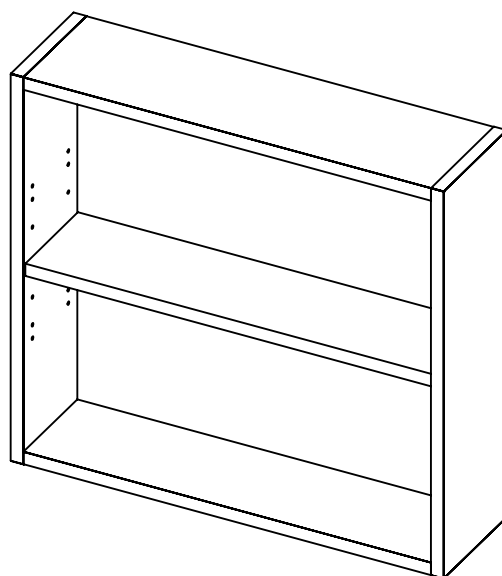
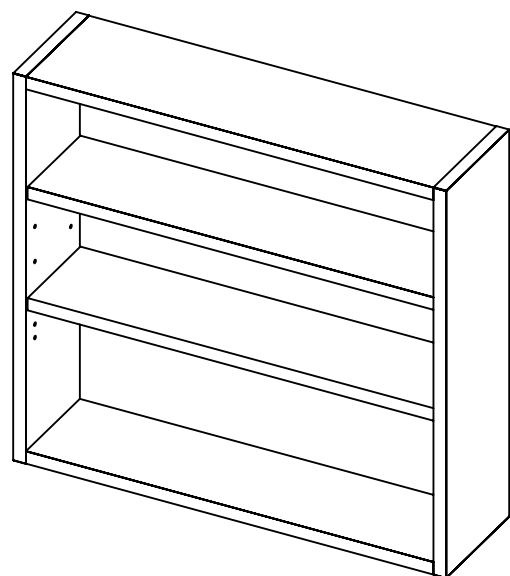
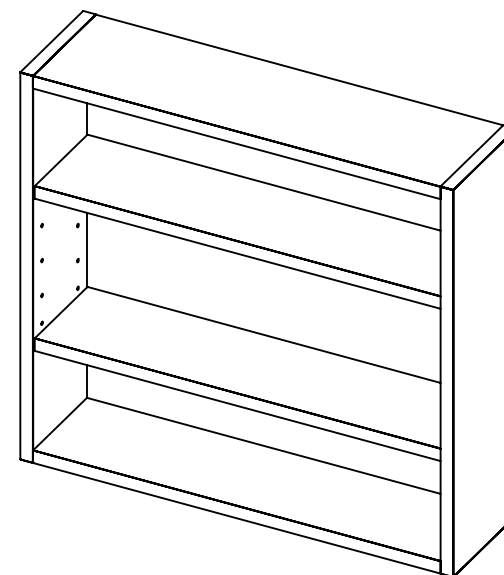
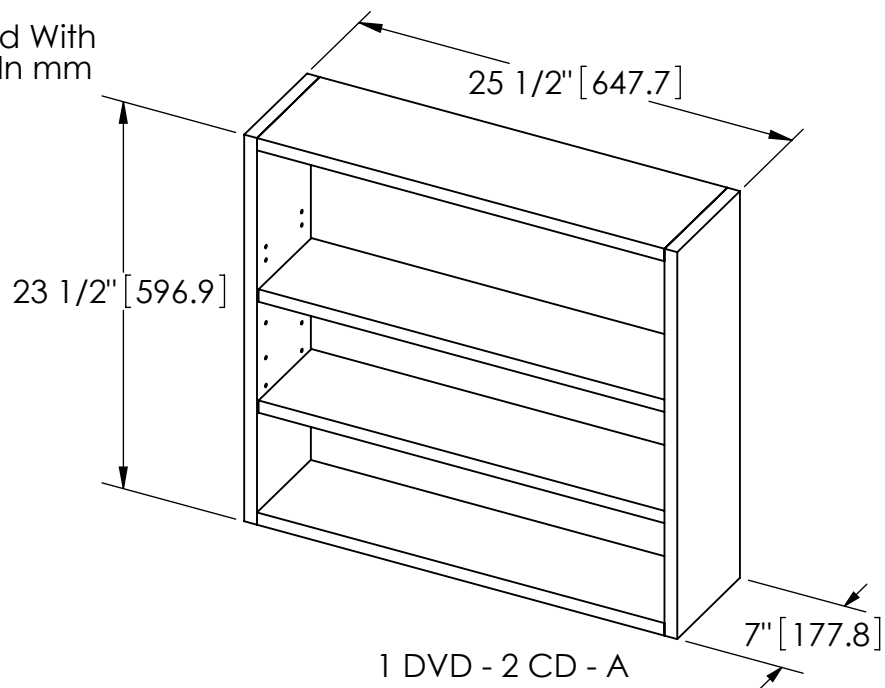
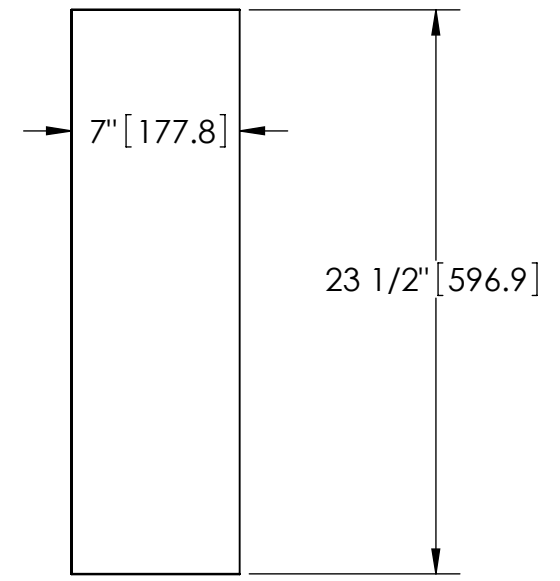
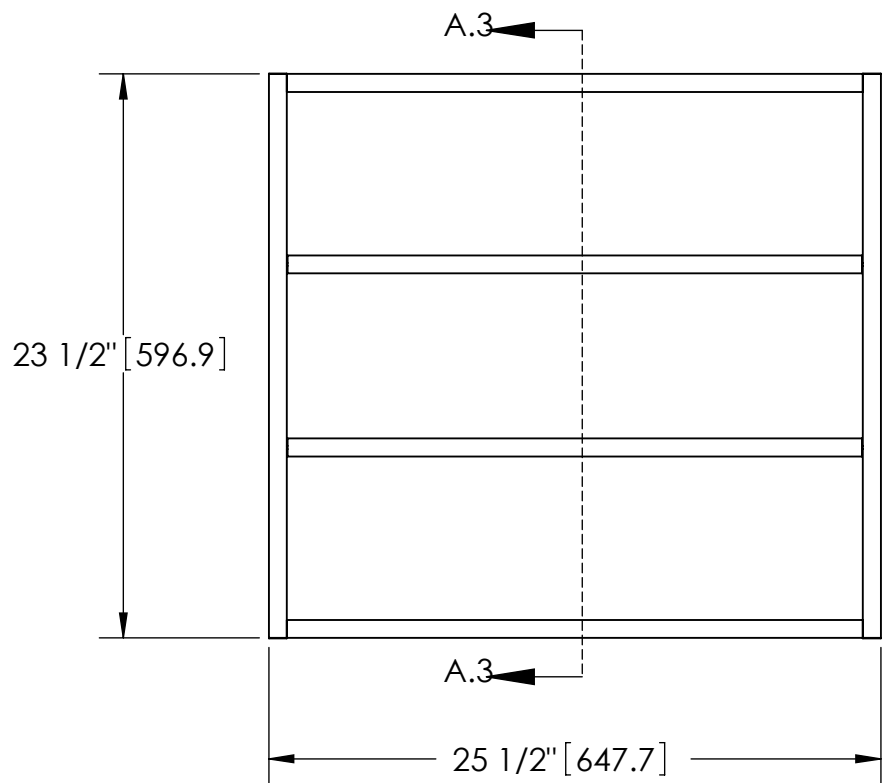
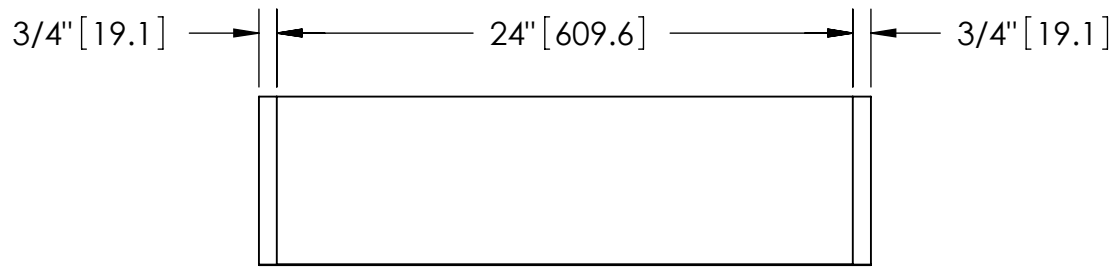
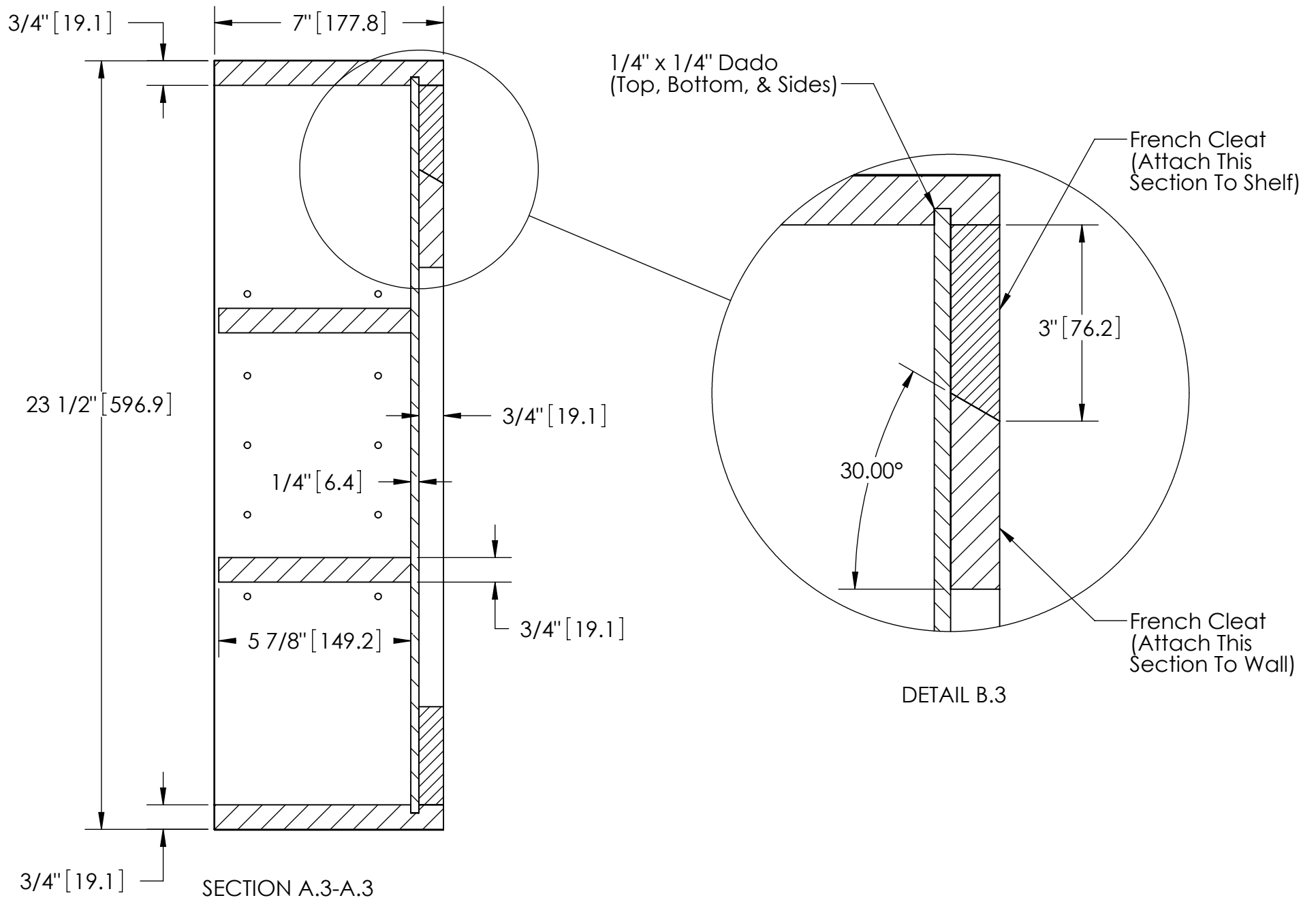
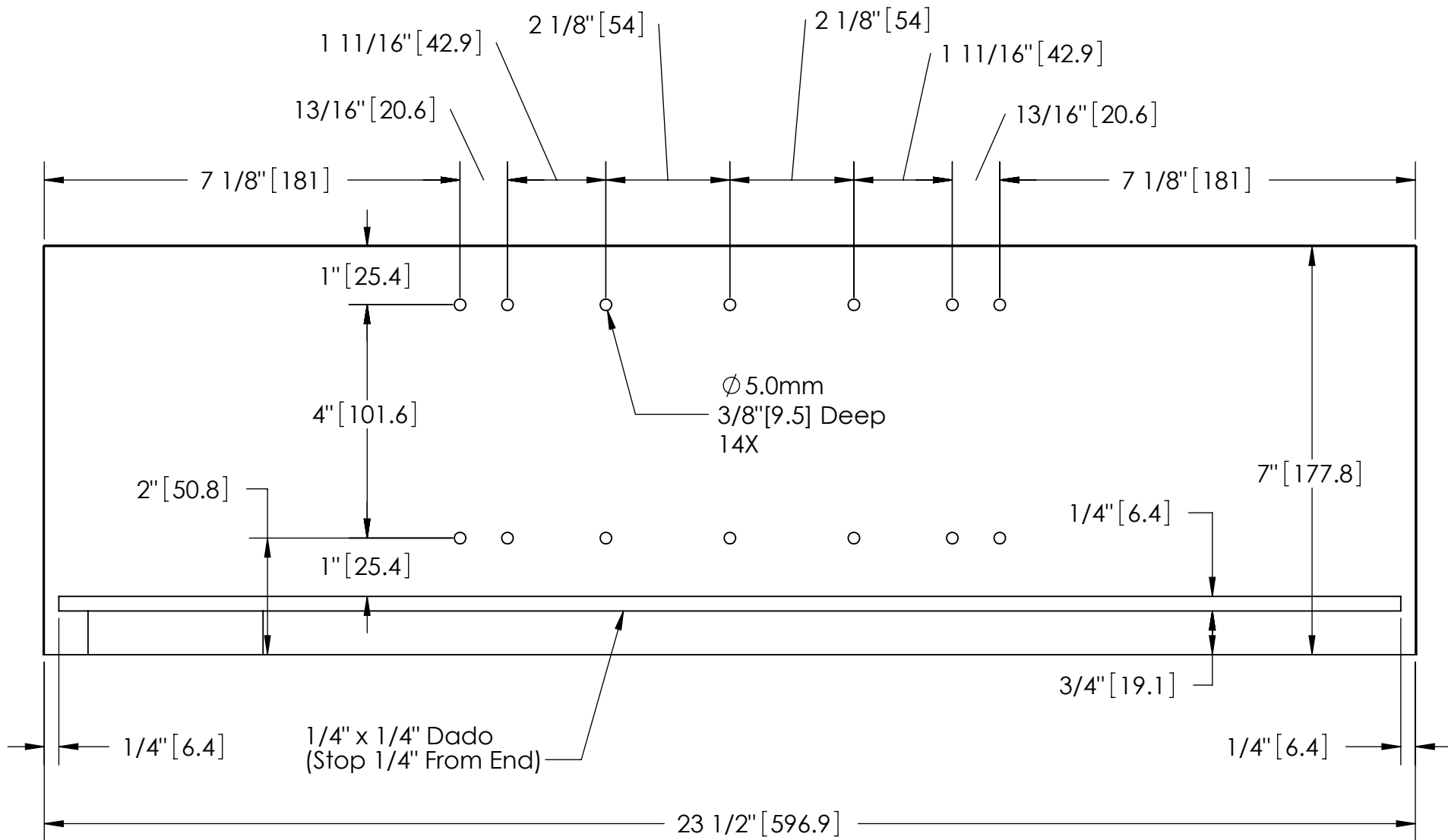


Note: Values Enclosed With [Brackets] Are In mm

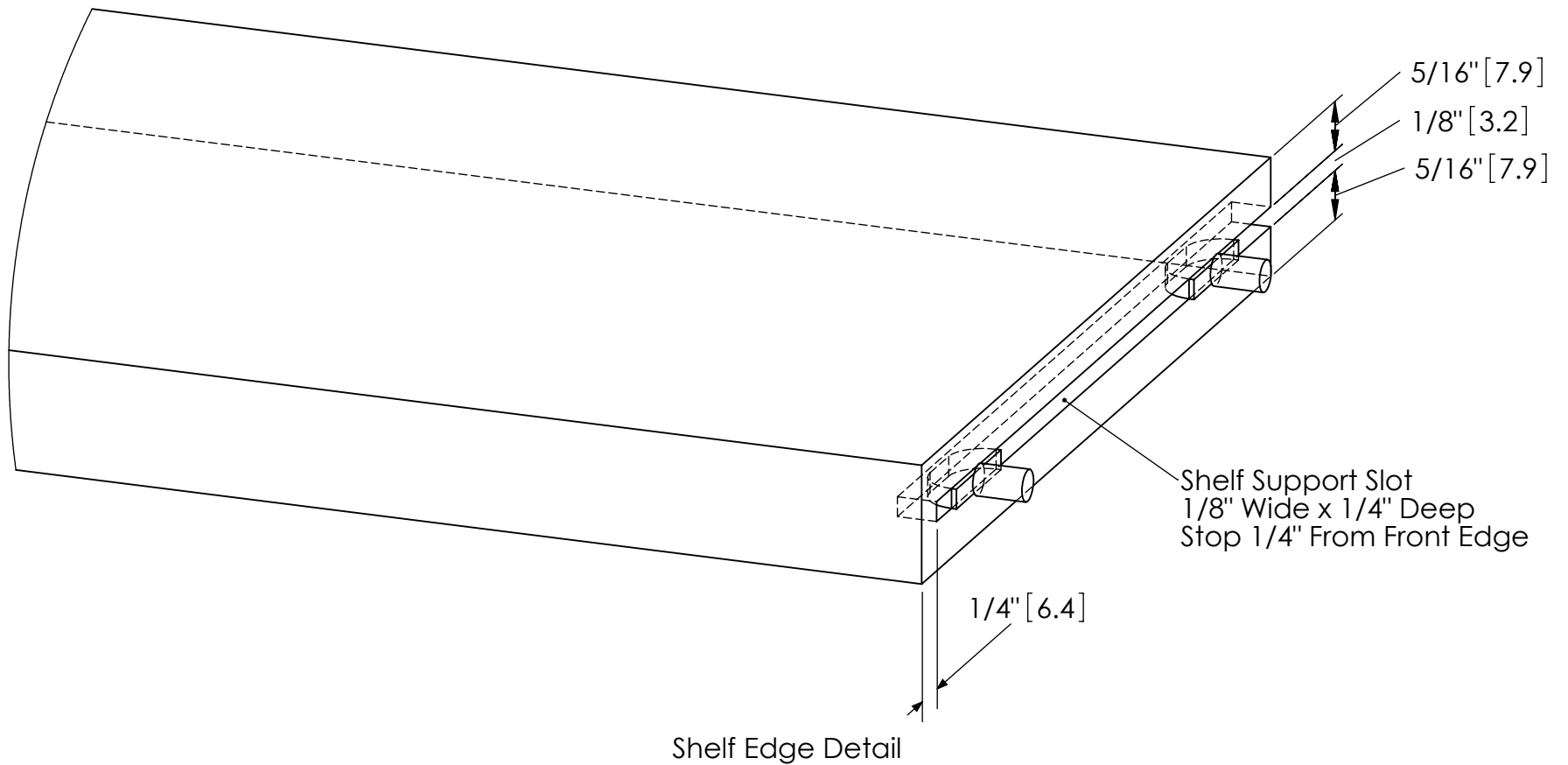
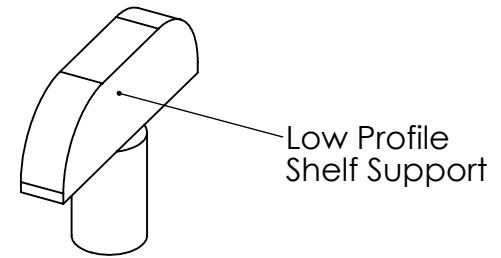








End / Shelf Hole Detail



Parts List						
Item	Quantity	Description	Material	Thickness	Width	Length
1	8	Low Profile Shelf Support	Plastic			
2	2	French Cleat	Particle Board	3/4"	3"	24"
3	1	Nailer	Particle Board	3/4"	3"	24"
4	1	Back	White Melamine	1/4"	24 1/2"	22 1/2"
5	2	Adjustable Shelf	White Melamine	3/4"	5 7/8"	23 15/16"
6	2	Wall End	White Melamine	3/4"	7"	23 1/2"
7	2	Top / Bottom	White Melamine	3/4"	7"	24"
8	4	Edge Band - End	White PVC Edge Band	0.5mm	15/16"	8 1/2"
9	2	Edge Band - End	White PVC Edge Band	0.5mm	15/16"	25"
10	2	Edge Band - Adjustable Shelf	White PVC Edge Band	0.5mm	15/16"	25 7/16"
11	2	Edge Band - Top / Bottom	White PVC Edge Band	0.5mm	15/16"	25 1/2"

