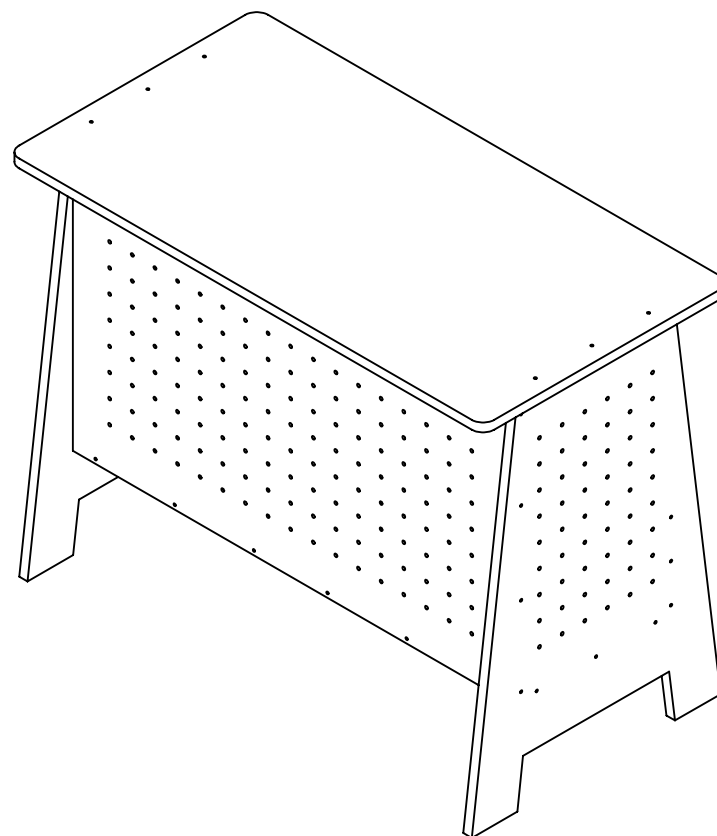
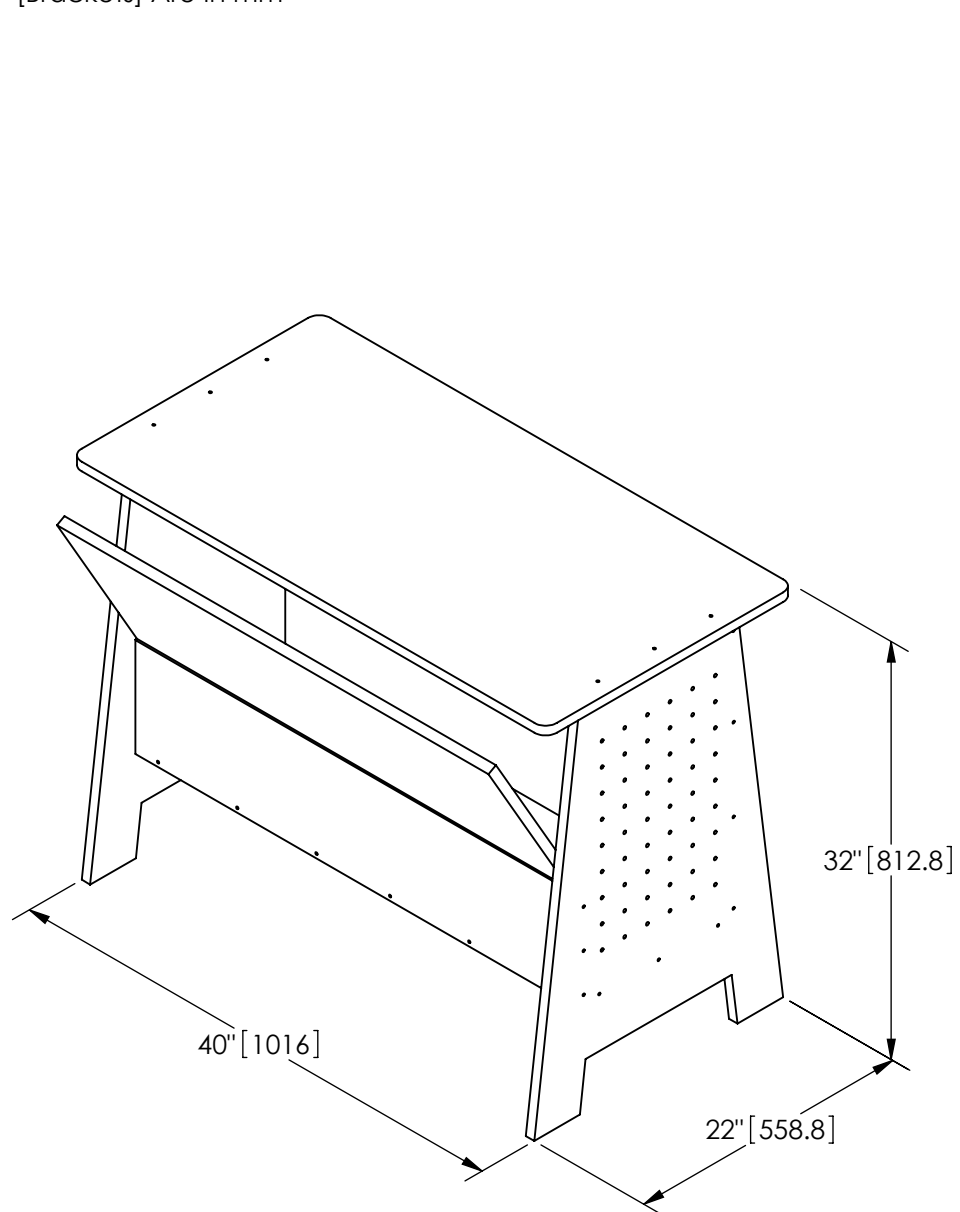
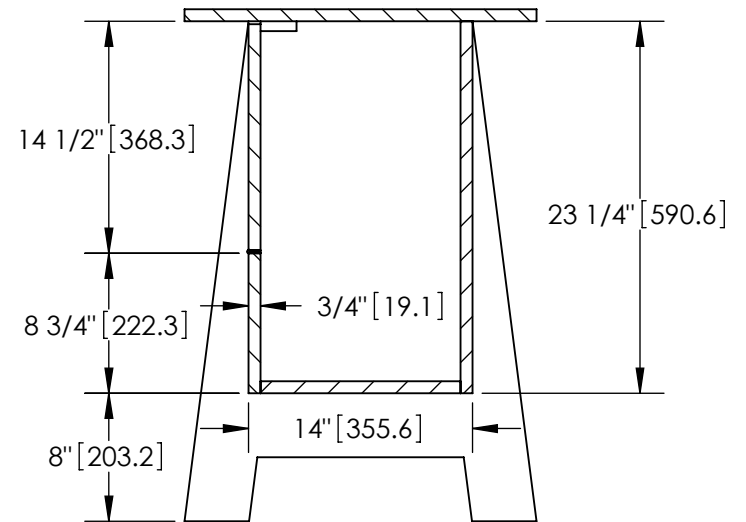
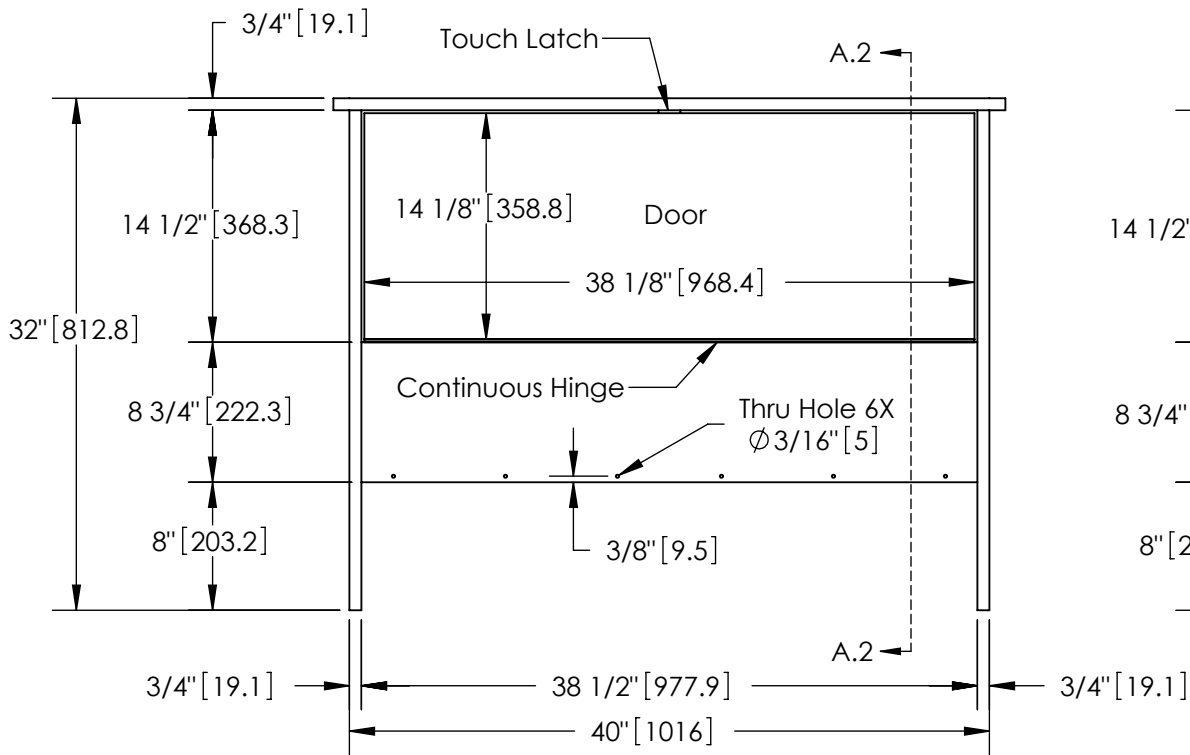
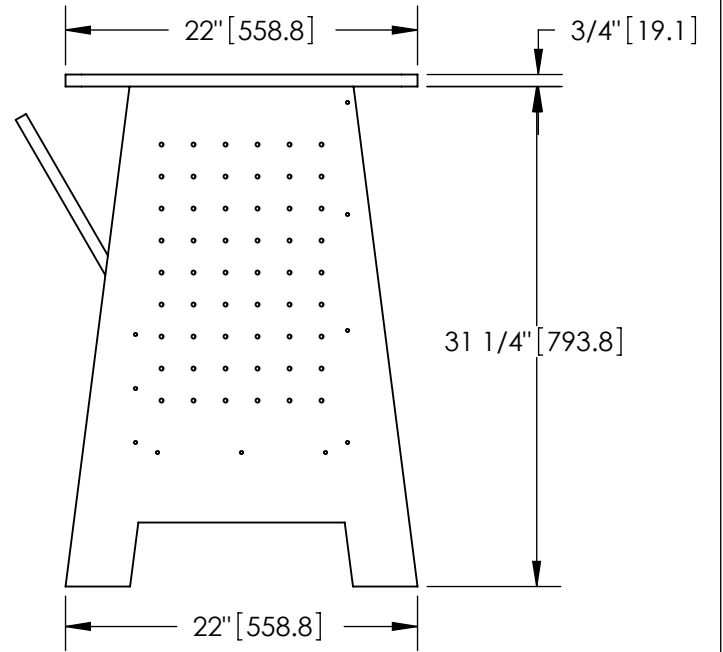
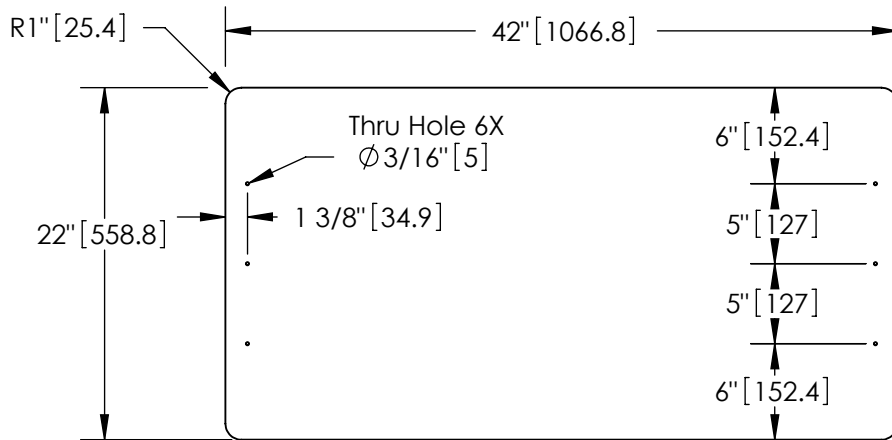
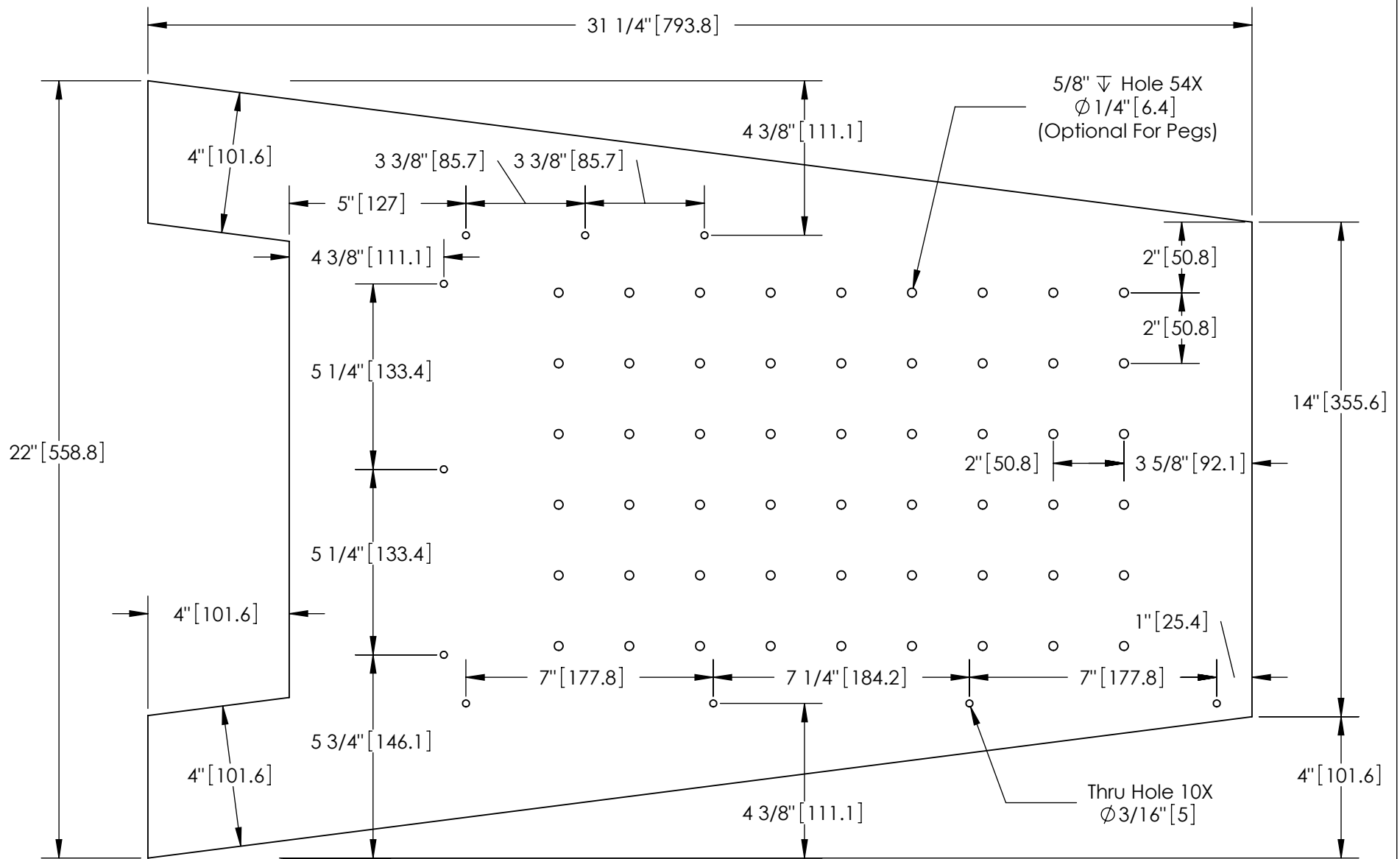


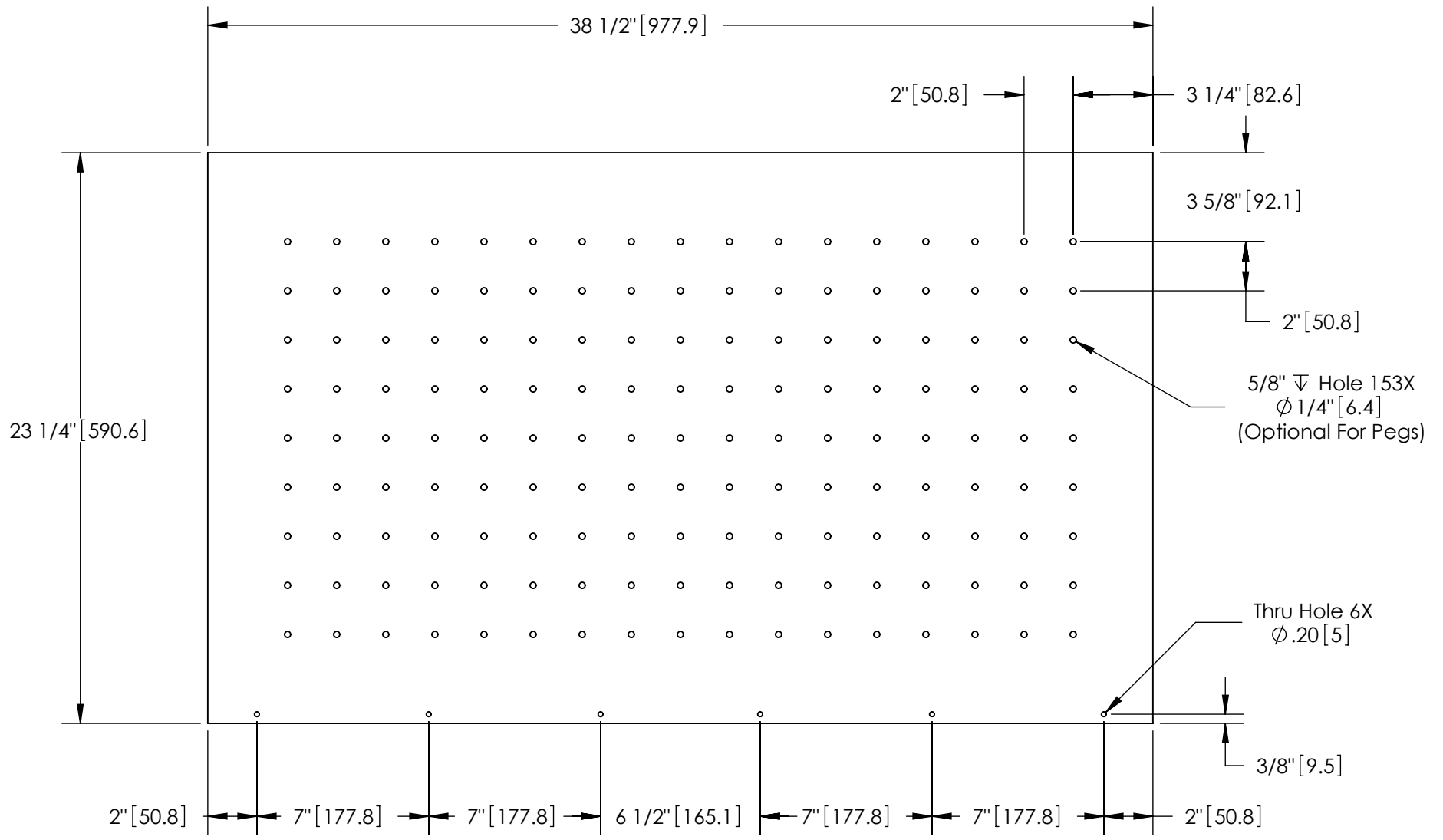
Note: Values Enclosed With  
[Brackets] Are In mm







RIGHT LEG DETAIL  
 For Left Leg, Mirror As-Drawn



BACK DETAIL

Parts List

Item	Quantity	Description	Material	Thickness	Width	Length
1	1	Piano Hinge	Nickel			
2	1	Touch Latch	Not Applicable			
3	1	Back	Plywood	3/4"	38 1/2"	23 1/4"
4	1	Front	Plywood	3/4"	38 1/2"	8 3/4"
5	1	Door	Plywood	3/4"	38 1/8"	14 1/8"
6	1	Bench Top	Plywood	3/4"	22"	42"
7	1	Leg - Right	Plywood	3/4"	22"	31 1/4"
8	1	Leg - Left	Plywood	3/4"	22"	31 1/4"
9	1	Bottom	Plywood	3/4"	12 1/2"	38 1/2"

