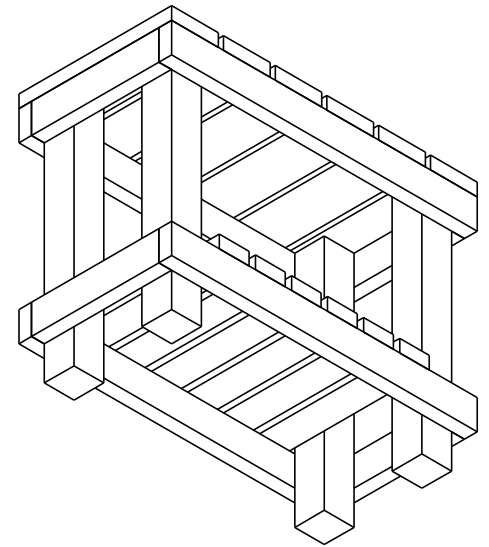
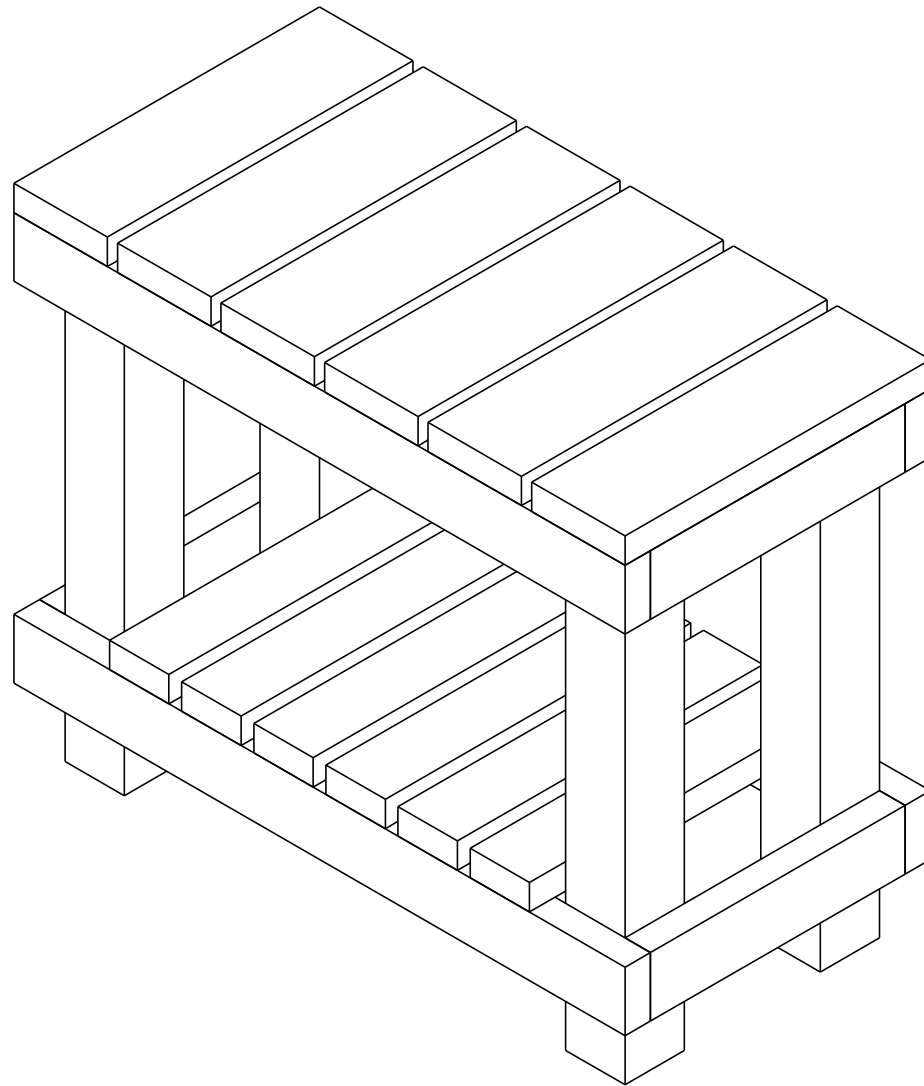
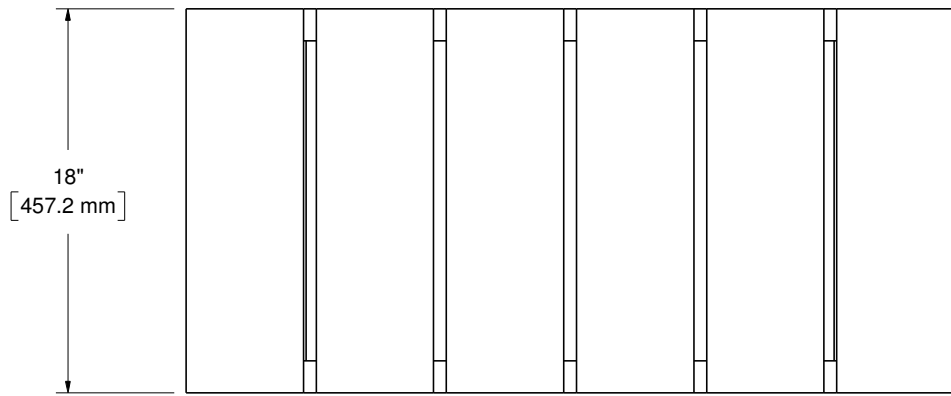
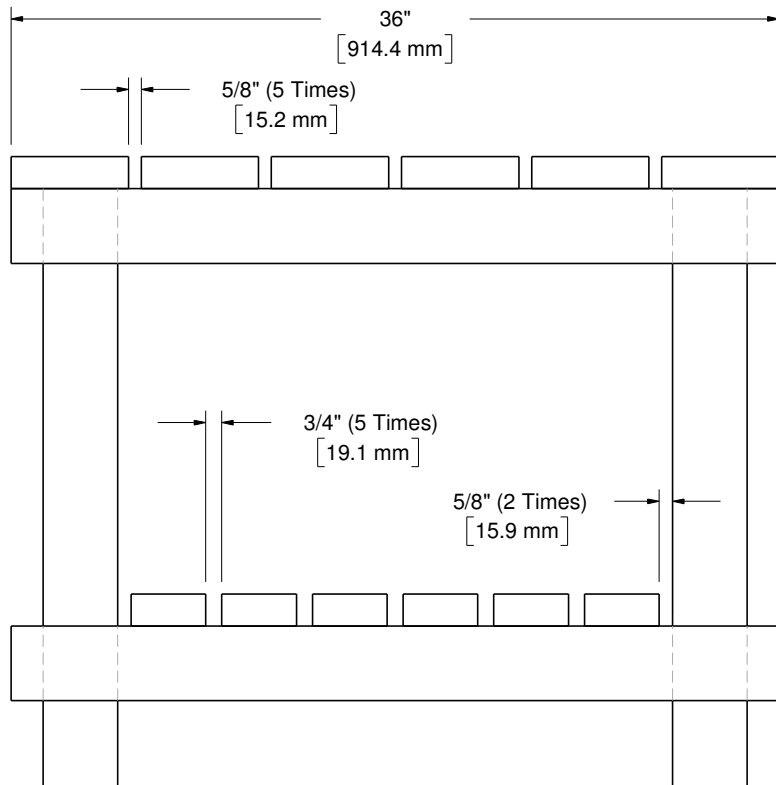
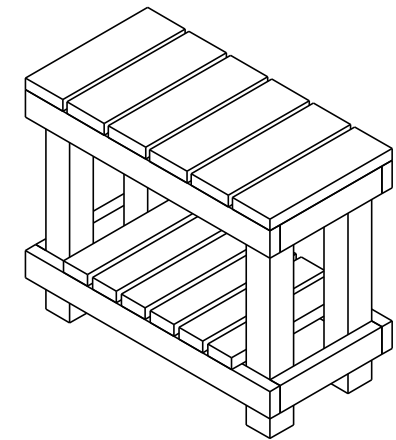


Note: Values Enclosed With
[Brackets] Are in mm

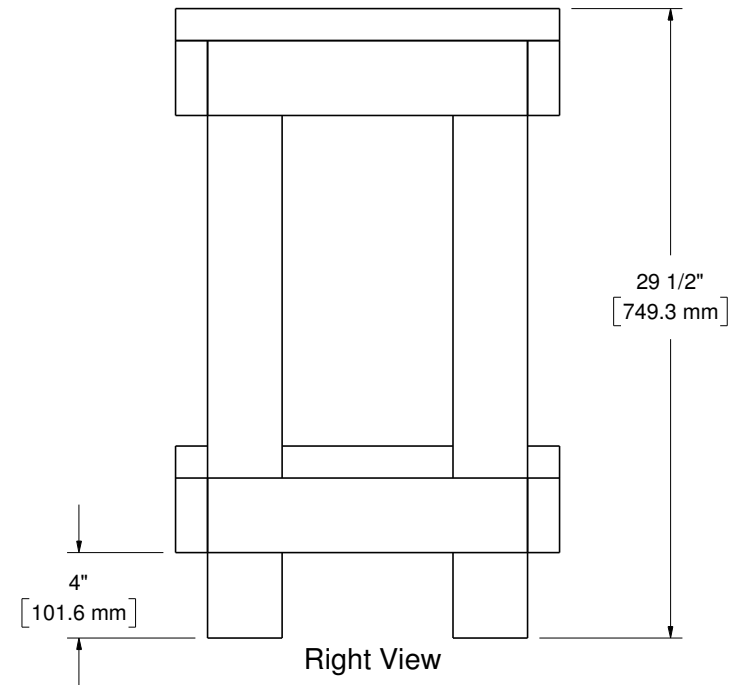




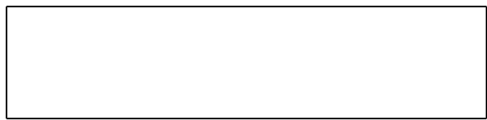
Top View



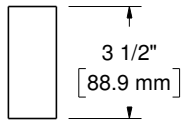
Front View



Right View



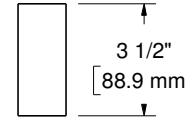
End - 2 x 4 x 15"
(4 Required)



3 1/2"
[88.9 mm]
1 1/2"
[38.1 mm]



Shelf - 2 x 4 x 18"
(6 Required)

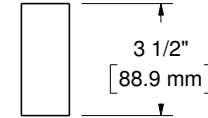


3 1/2"
[88.9 mm]
1 1/2"
[38.1 mm]



Front - 2 x 4 x 36"
(4 Required)

36"
[914.4 mm]

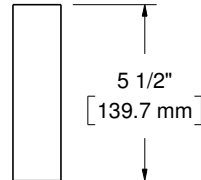


3 1/2"
[88.9 mm]
1 1/2"
[38.1 mm]

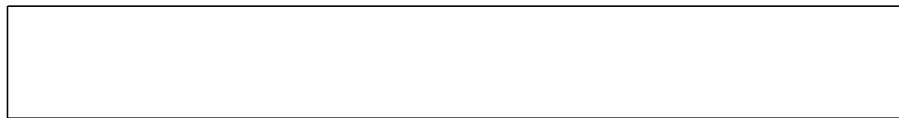


Top - 2 x 6 x 18"
(6 Required)

18"
[457.2 mm]

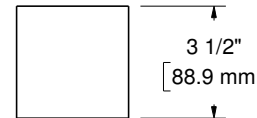


5 1/2"
[139.7 mm]
1 1/2"
[38.1 mm]



Leg - 4 x 4 x 28"
(4 Required)

28"
[711.2 mm]



3 1/2"
[88.9 mm]
3 1/2"
[88.9 mm]