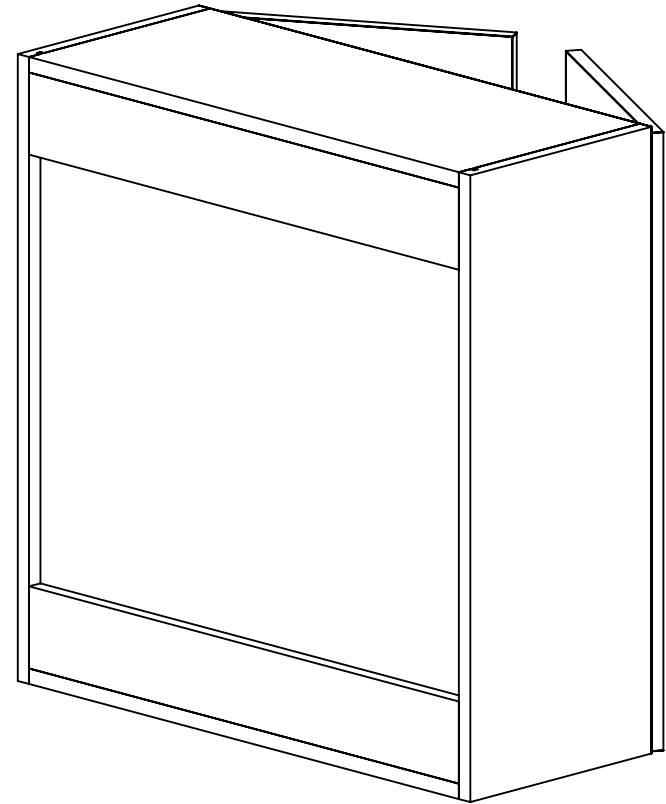
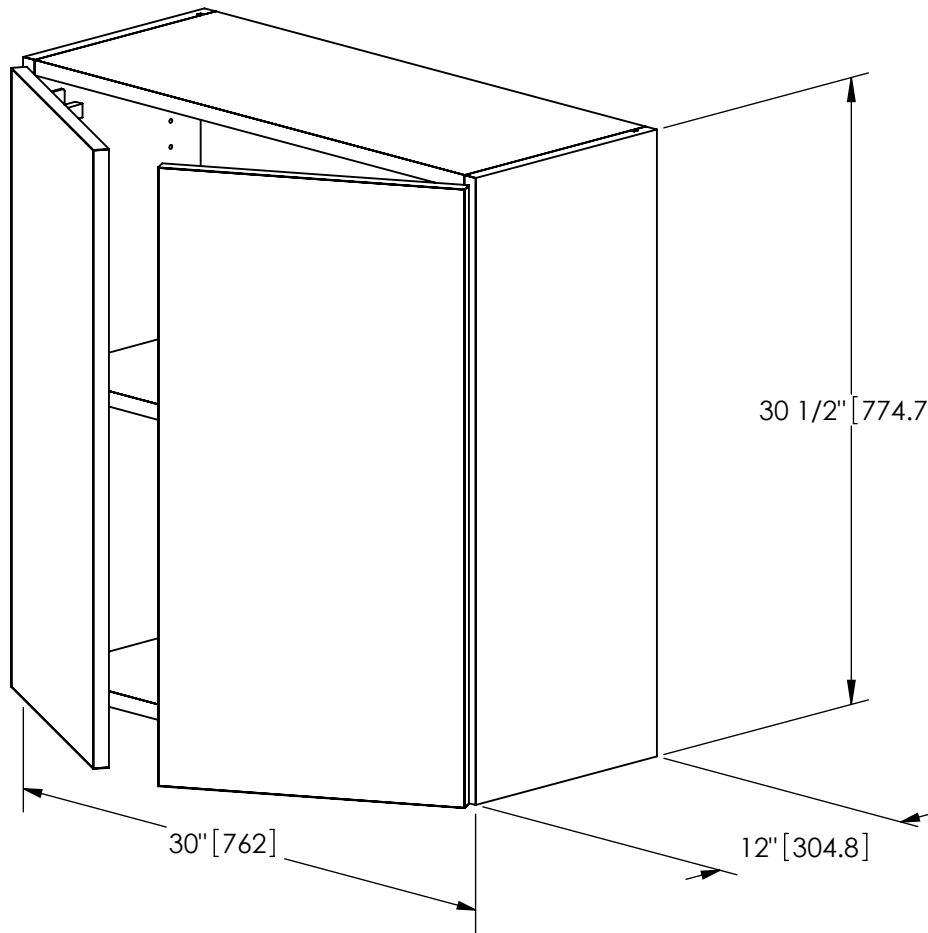
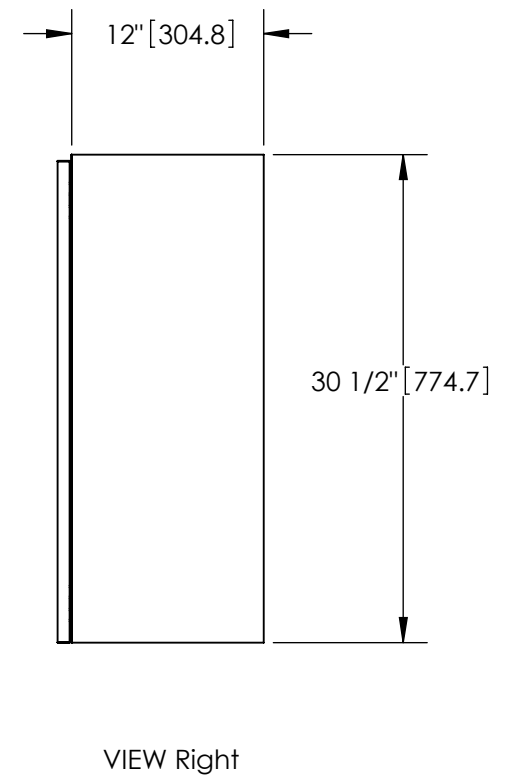
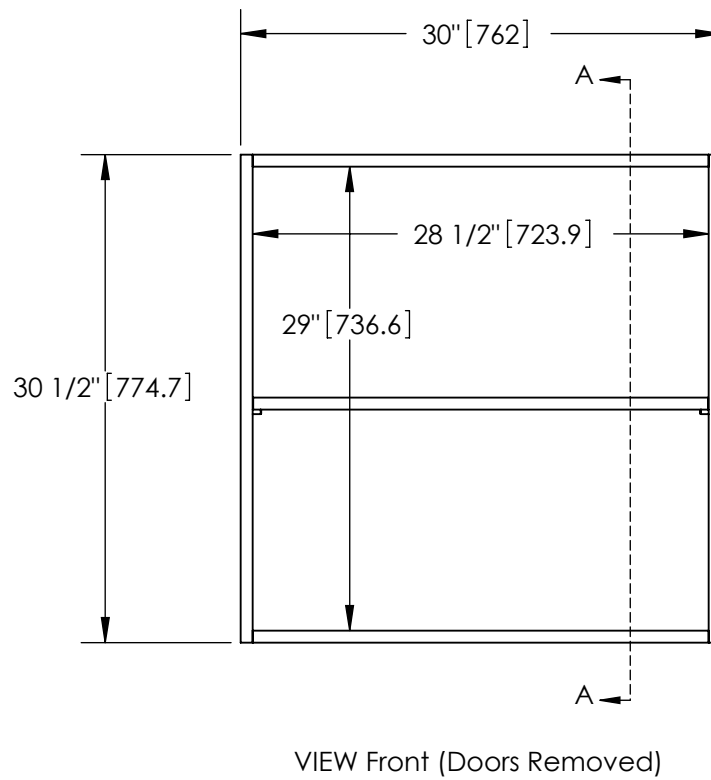
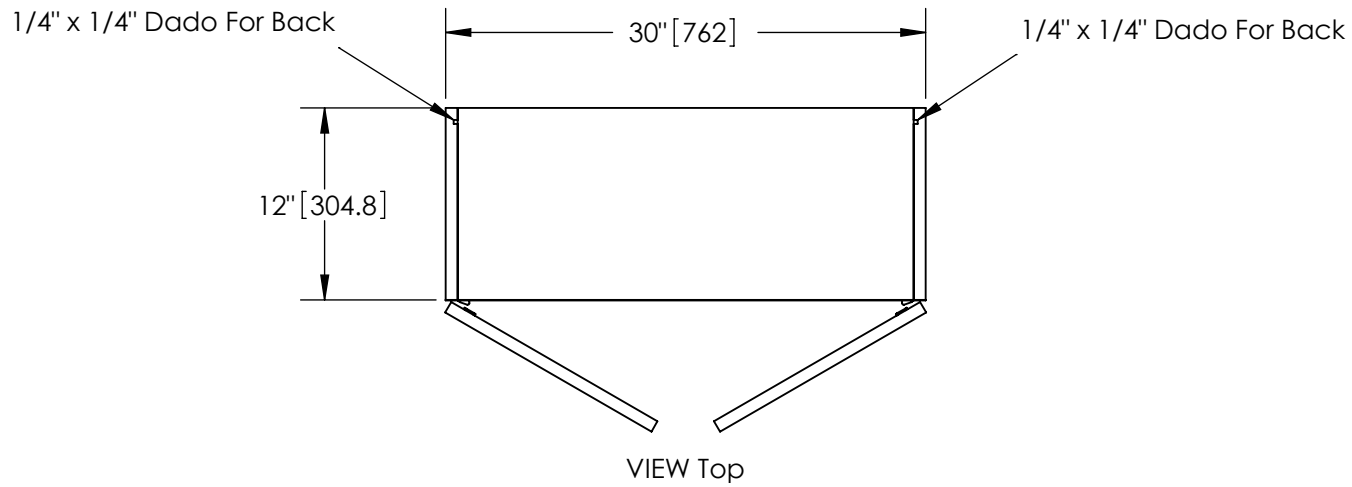
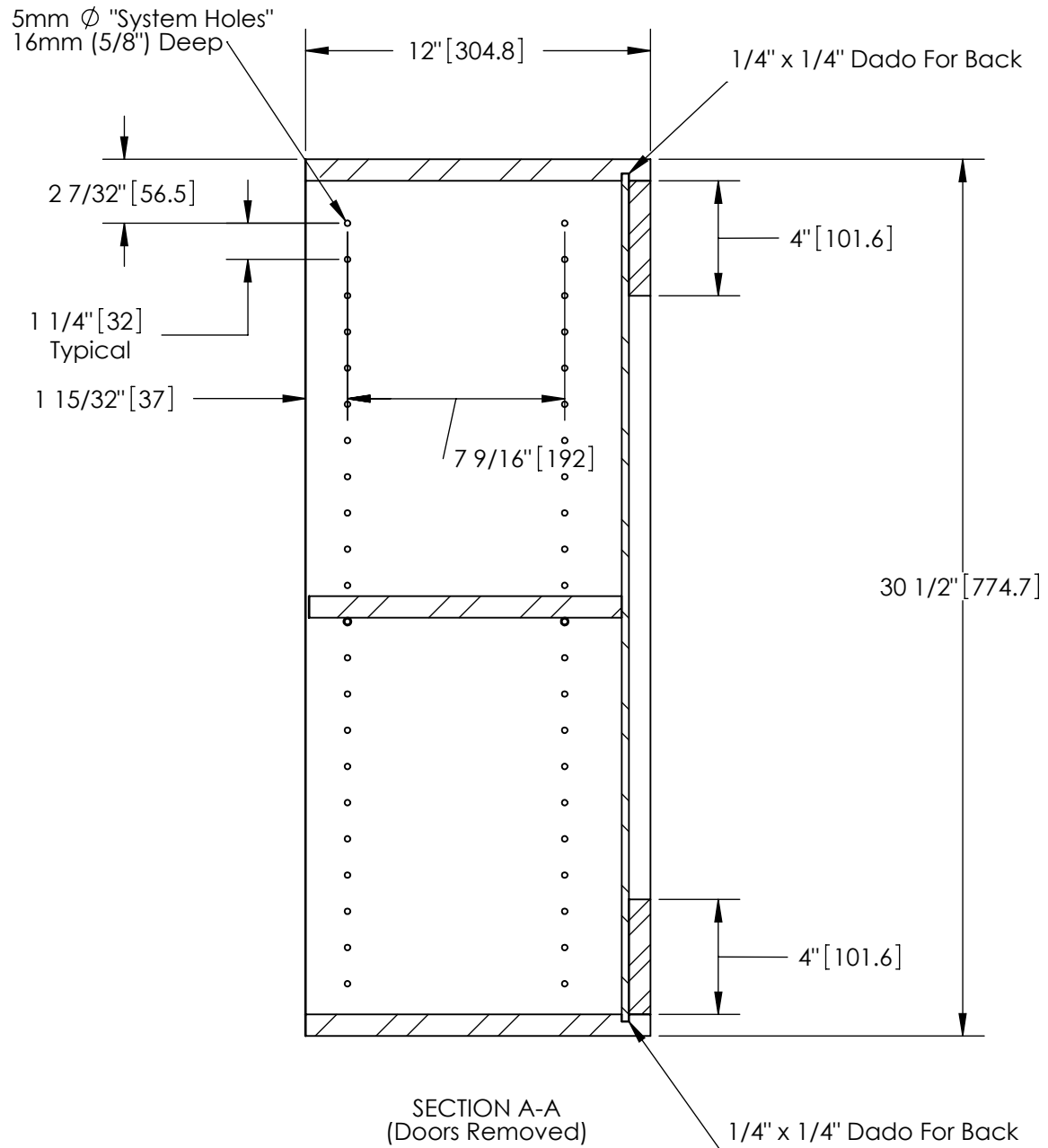
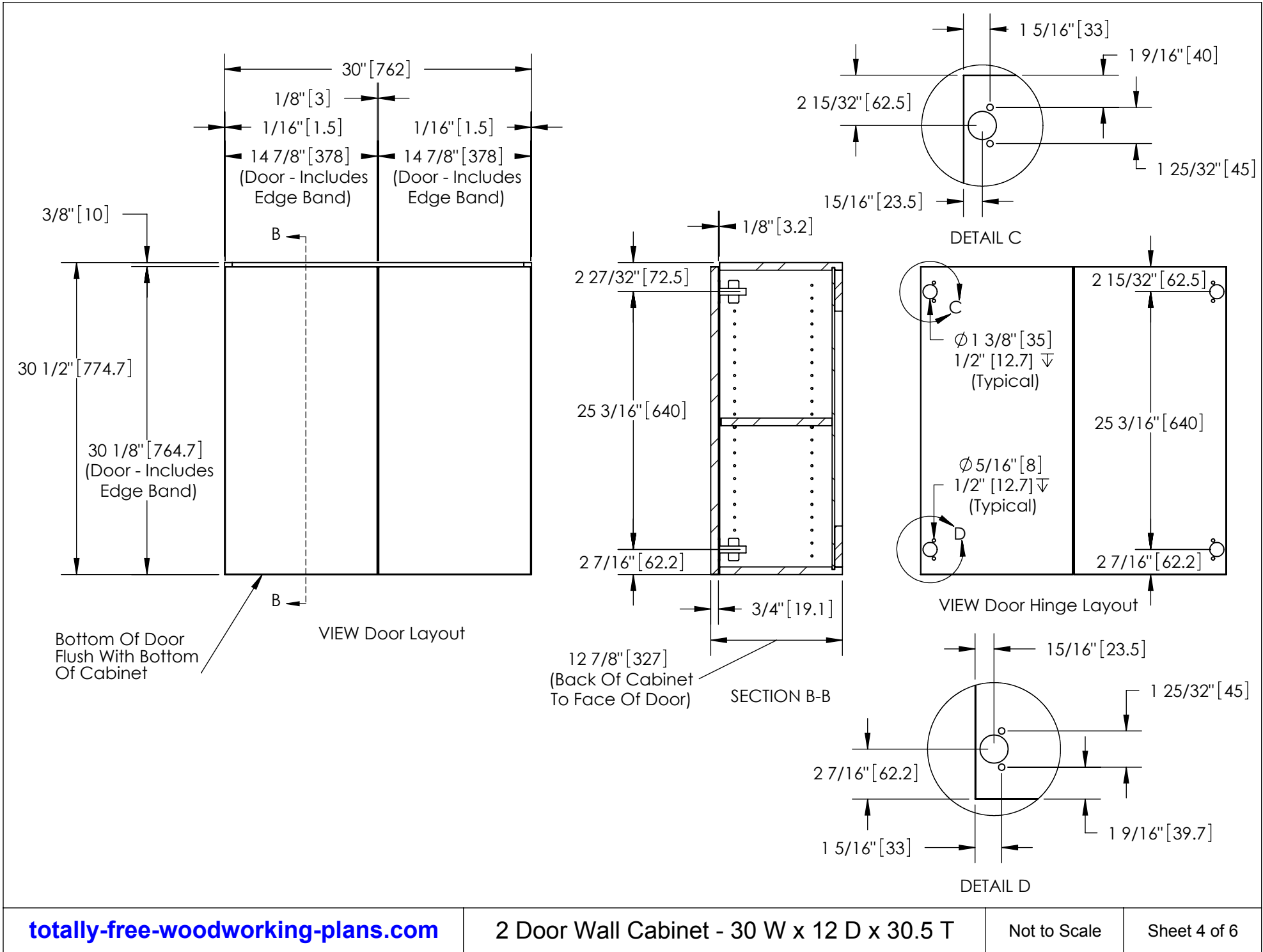


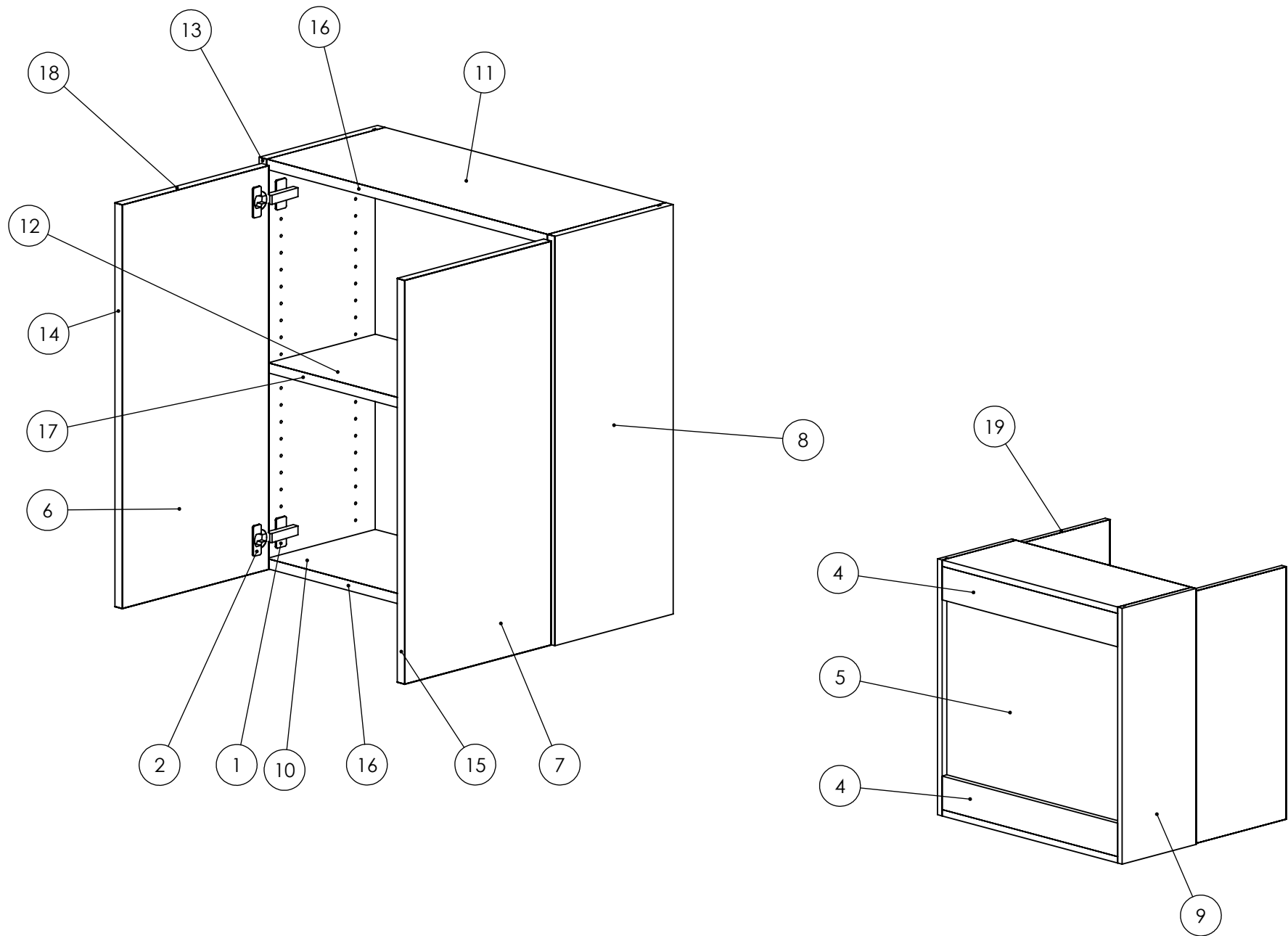
Note: Values Enclosed With
[Brackets] Are In mm











Parts List						
Item	Quantity	Description	Material	Thickness	Width	Length
1	4	CLIP Cam Mounting Plate	Nickel			
2	4	120 Degree, Full Overlay, CLIP Top Hinge	Nickel			
3	4	Rockler 22278 Stepped Shelf Pin	Nickel			
4	2	Nailer	Particle Board	3/4"	4"	28 1/2"
5	1	Back	White Melamine	1/4"	29"	29 1/2"
6	1	Door - Left	White Melamine	3/4"	14 13/16"	30 1/16"
7	1	Door - Right	White Melamine	3/4"	14 13/16"	30 1/16"
8	1	Wall End - Right	White Melamine	3/4"	12"	30 1/2"
9	1	Wall End - Left	White Melamine	3/4"	12"	30 1/2"
10	1	Bottom	White Melamine	3/4"	12"	28 1/2"
11	1	Top	White Melamine	3/4"	12"	28 1/2"
12	1	Adjustable Shelf	White Melamine	3/4"	10 7/8"	28.44
13	2	Edge Band - Wall End	White PVC Edge Band	0.5mm	15/16"	32"
14	2	Edge Band - Door - Left	White PVC Edge Band	0.5mm	15/16"	31 9/16"
15	2	Edge Band - Door - Right	White PVC Edge Band	0.5mm	15/16"	31 9/16"
16	2	Edge Band - Top & Bottom	White PVC Edge Band	0.5mm	15/16"	30"
17	1	Edge Band - Adjustable Shelf	White PVC Edge Band	0.5mm	15/16"	29 15/16"
18	2	Edge Band - Door - Left	White PVC Edge Band	0.5mm	15/16"	16 3/8"
19	2	Edge Band - Door - Right	White PVC Edge Band	0.5mm	15/16"	16 3/8"
totally-free-woodworking-plans.com			2 Door Wall Cabinet - 30 W x 12 D x 30.5 T		Not to Scale	Sheet 6 of 6