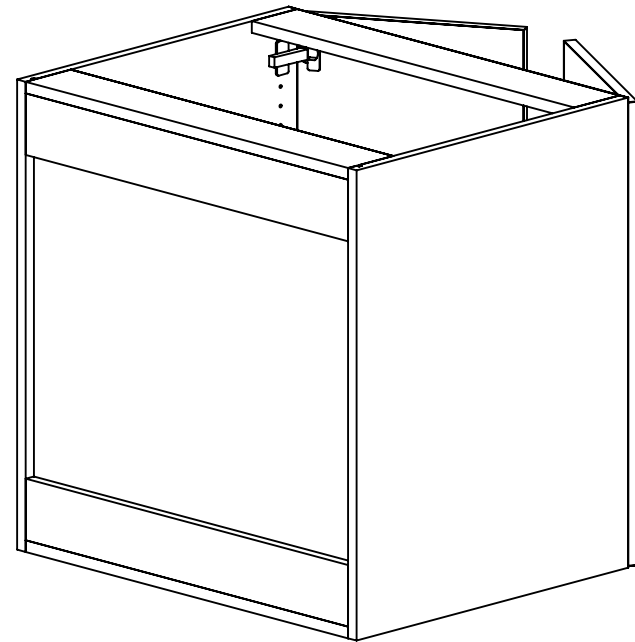
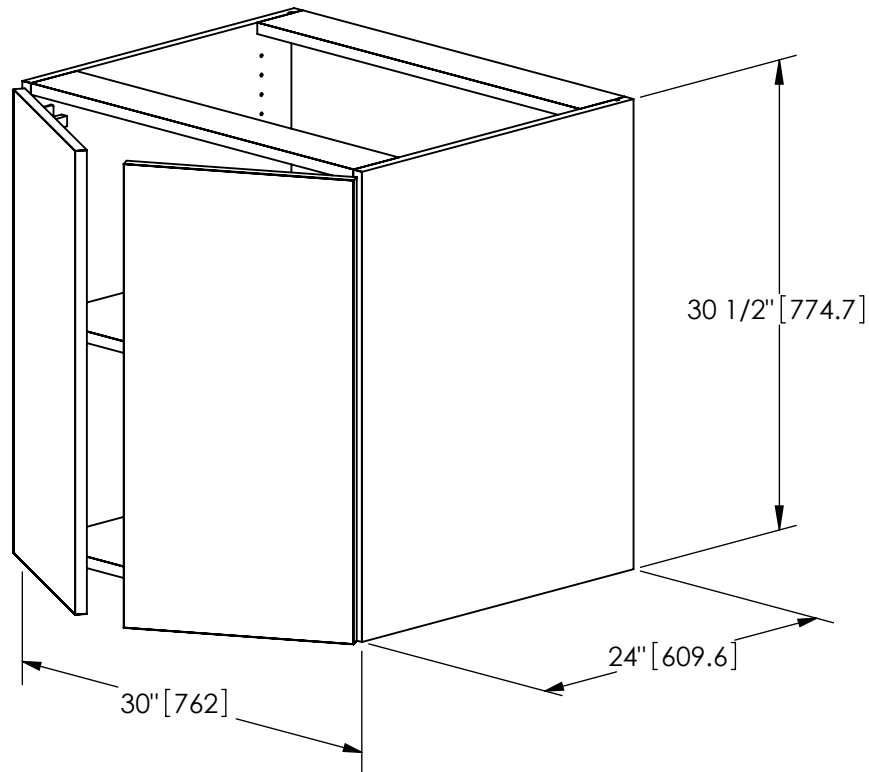
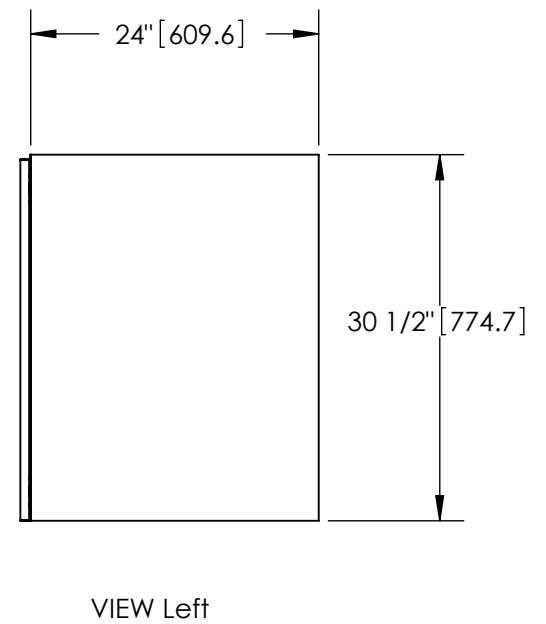
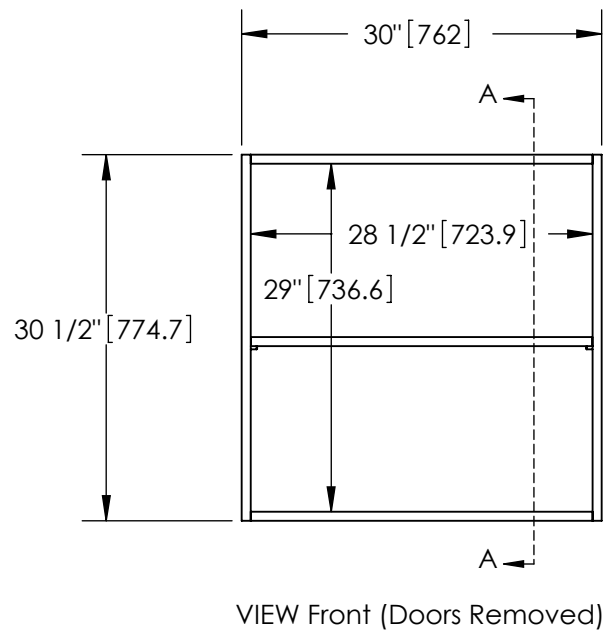
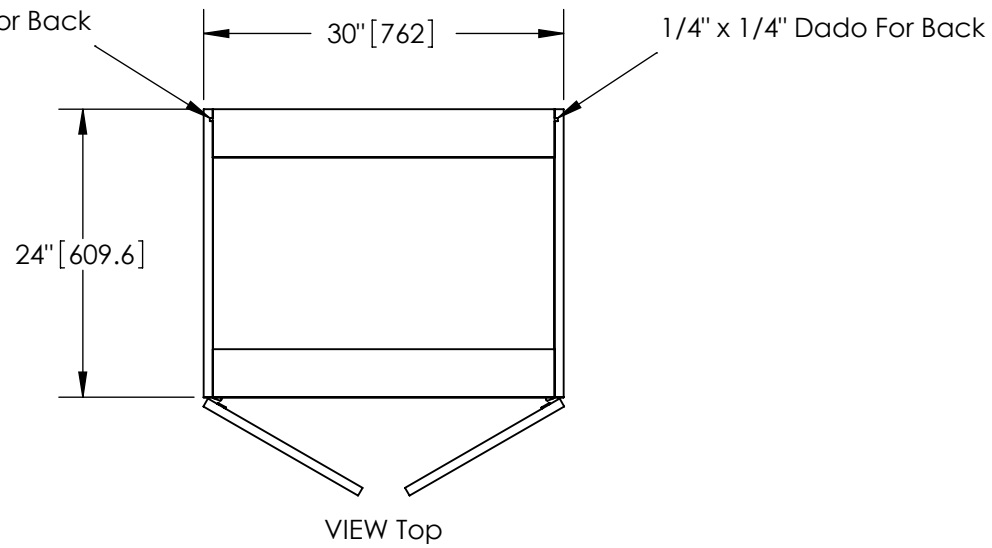
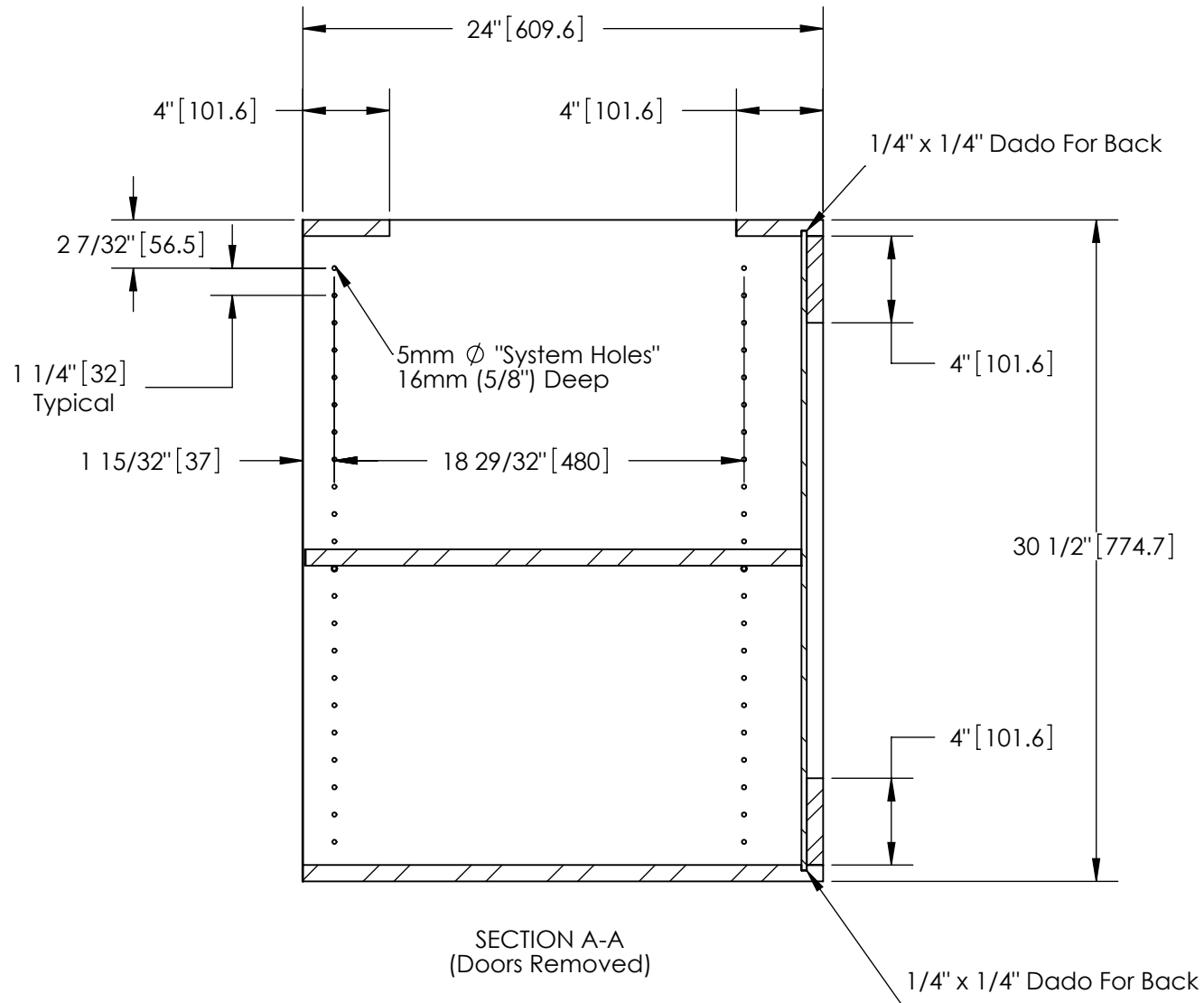


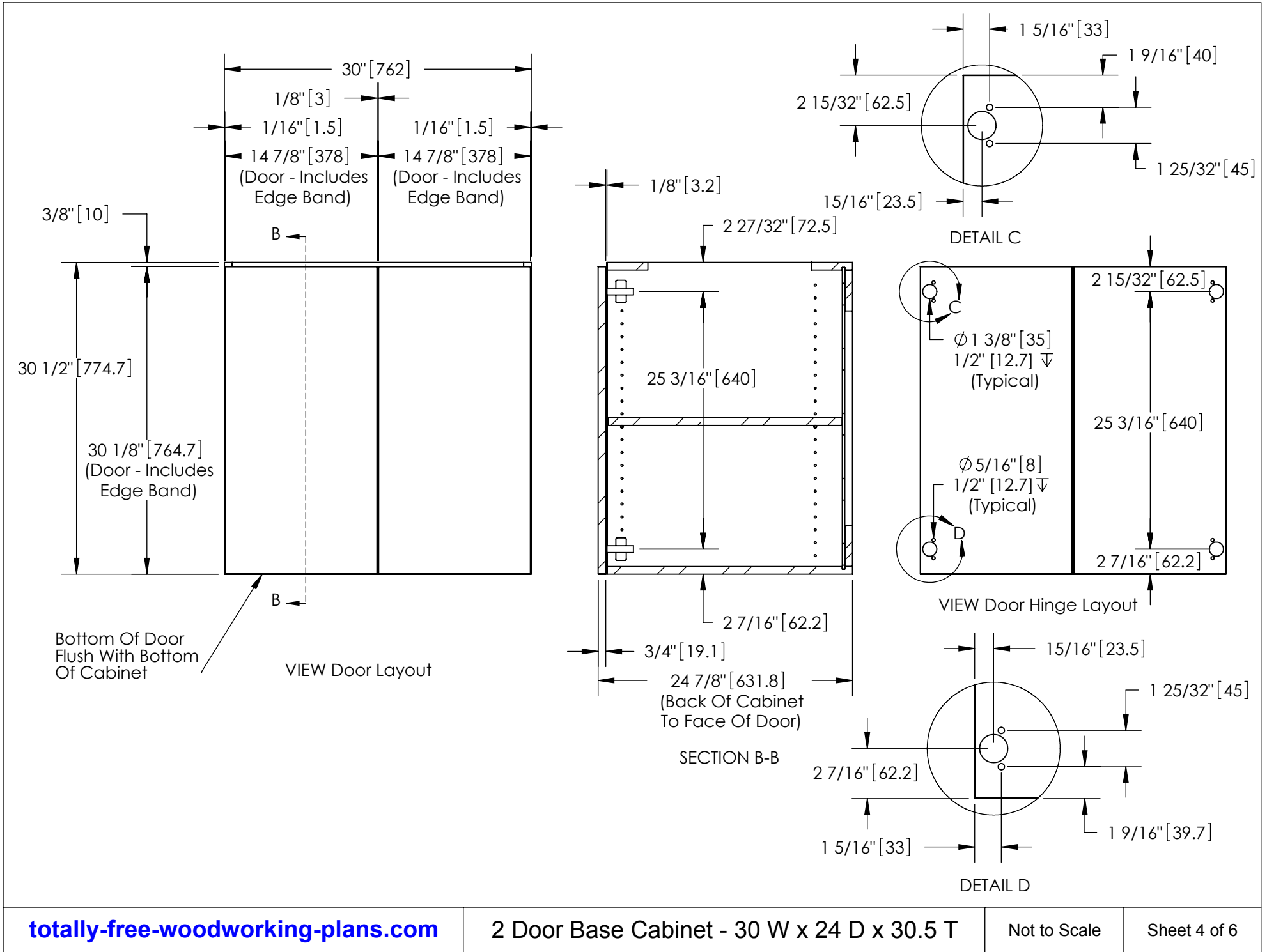
Note: Values Enclosed With  
[Brackets] Are In mm

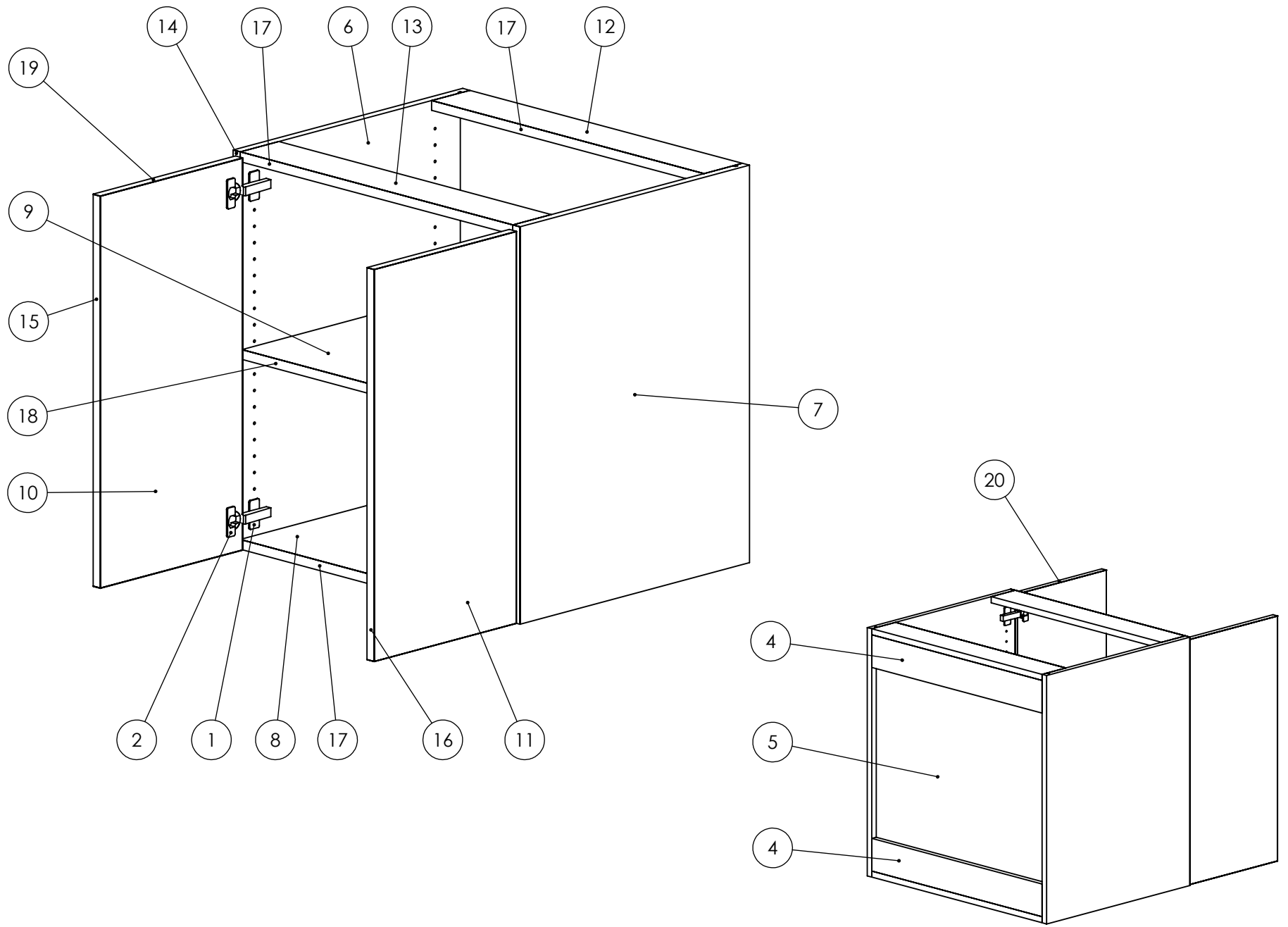


1/4" x 1/4" Dado For Back









Parts List						
Item	Quantity	Description	Material	Thickness	Width	Length
1	4	CLIP Cam Mounting Plate	Nickel			
2	4	120 Degree, Full Overlay, CLIP Top Hinge	Nickel			
3	4	Rockler 22278 Stepped Shelf Pin	Nickel			
4	2	Nailer	Particle Board	3/4"	4"	28 1/2"
5	1	Back	White Melamine	1/4"	29"	29 1/2"
6	1	Wall End - Left	White Melamine	3/4"	24"	30 1/2"
7	1	Wall End - Right	White Melamine	3/4"	24"	30 1/2"
8	1	Bottom	White Melamine	3/4"	24"	28 1/2"
9	1	Adjustable Shelf	White Melamine	3/4"	22 7/8"	28 7/16"
10	1	Door - Left	White Melamine	3/4"	14 13/16"	30 1/16"
11	1	Door - Right	White Melamine	3/4"	14 13/16"	30 1/16"
12	1	Top Stretcher - Rear	White Melamine	3/4"	4"	28 1/2"
13	1	Top Stretcher - Front	White Melamine	3/4"	4"	28 1/2"
14	2	Edge Band - Wall End	White PVC Edge Band	0.5mm	15/16"	32"
15	2	Edge Band - Door - Left	White PVC Edge Band	0.5mm	15/16"	31 9/16"
16	2	Edge Band - Door - Right	White PVC Edge Band	0.5mm	15/16"	31 9/16"
17	3	Edge Band - Top & Bottom	White PVC Edge Band	0.5mm	15/16"	30"
18	1	Edge Band - Adjustable Shelf	White PVC Edge Band	0.5mm	15/16"	29 15/16"
19	2	Edge Band - Door - Left	White PVC Edge Band	0.5mm	15/16"	16 3/8"
20	2	Edge Band - Door - Right	White PVC Edge Band	0.5mm	15/16"	16 3/8"
<a href="http://totally-free-woodworking-plans.com">totally-free-woodworking-plans.com</a>			2 Door Base Cabinet - 30 W x 24 D x 30.5 T		Not to Scale	Sheet 6 of 6